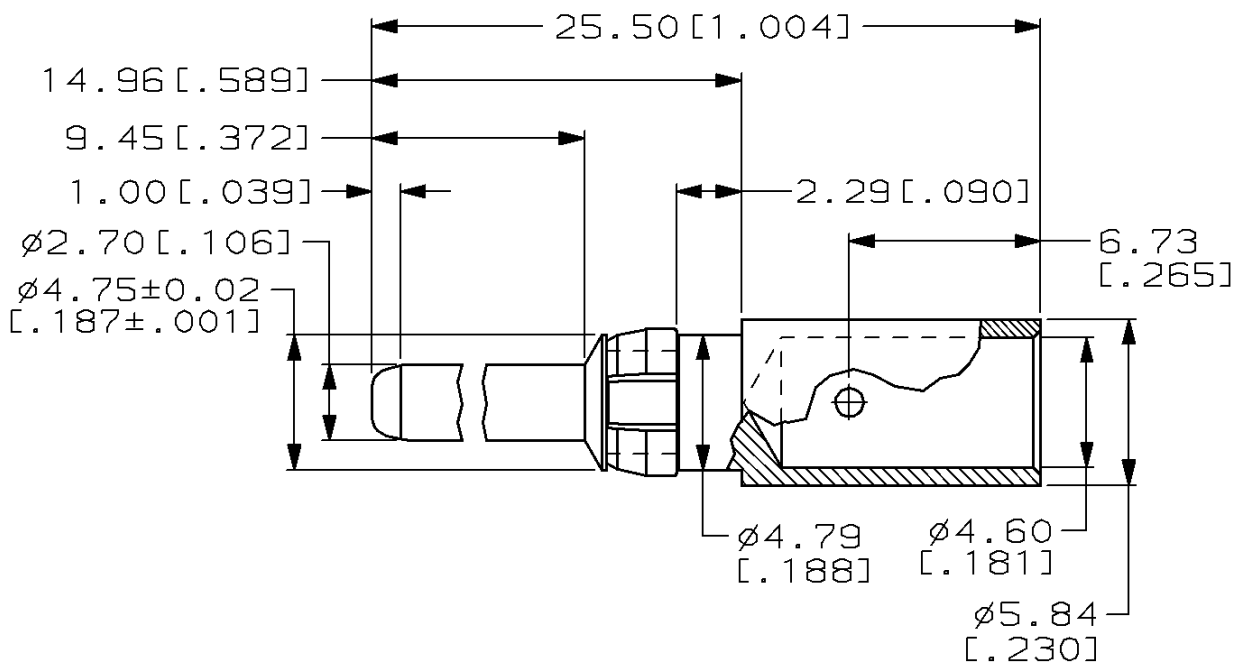


LOC	DIST	REVISIONS					
AD	25	P	LTR	DESCRIPTION	DATE	DWN	APVD
			0	DRAWN	-	-	-

1. WIRE BARREL WILL ACCEPT 8 AWG WIRE.
2. MATES WITH PART NUMBER 148433-1.
3. RECOMMENDED CRIMPING TOOL: DANIELS TOOL #M300-BT, POSITIONER PART NUMBER SP689, SETTING #7, STRIP LENGTH 8.13[.320].



THIS DRAWING IS UNPUBLISHED. BY AMP INCORPORATED. ALL RIGHTS RESERVED. 19

0.00076 [.000030] GOLD	CONTACT; BRASS	148431-1
FINISH	RETAINING RING; BERYLLIUM COPPER	
	MATERIAL	PART NUMBER

DIMENSIONS: mm  TOLERANCES UNLESS OTHERWISE SPECIFIED:  0 PLC ±- 1 PLC ±- 2 PLC ±0.13 [.005] 3 PLC ±- 4 PLC ±- ANGLES ±-	DWN 9/24/98 L. BRINER CHK 9/24/98 R. PATTERSON APVD 9/24/98 R. PATTERSON	MATERIAL - FINISH -	<b>AMP</b> AMP Incorporated Harrisburg, PA 17105-3608
	PRODUCT SPEC - APPLICATION SPEC - WEIGHT -	NAME POWER CONTACT, MALE CRIMP, MFBL, AWG 8, (40 AMP)	
	SIZE A4 CAGE CODE 00779 DRAWING NO C= 148431	RESTRICTED TO -	
CUSTOMER DRAWING		SCALE 4:1	SHEET 1 OF 1 REV 0