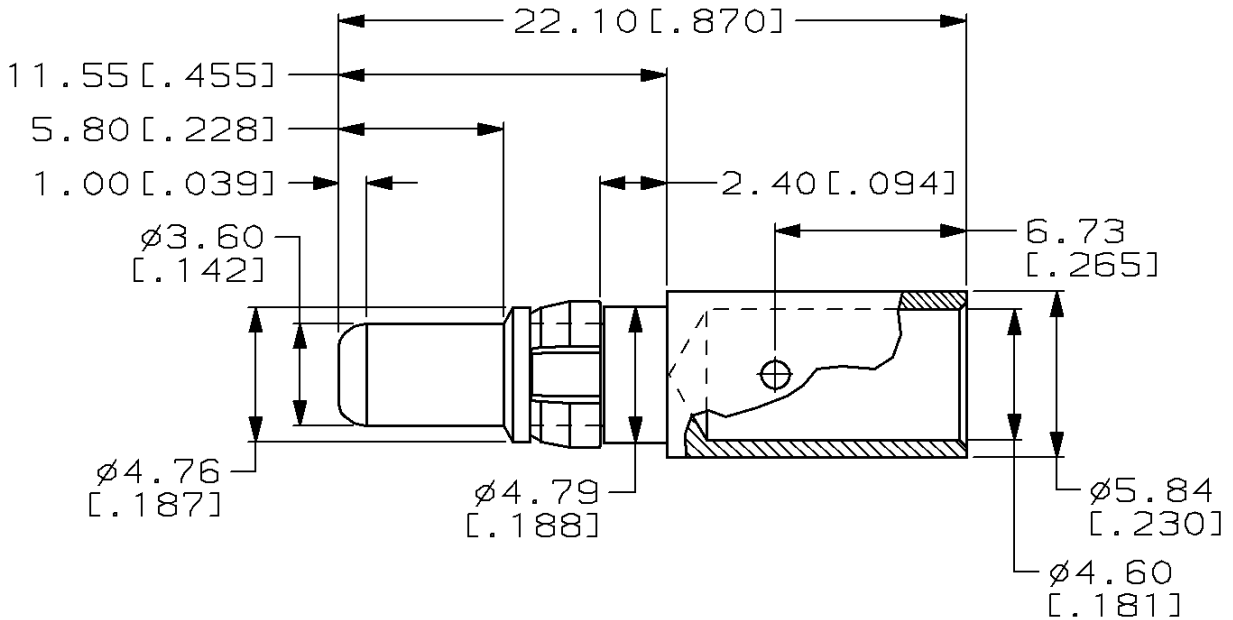


LOC	DIST	REVISIONS					
AD	25	P	LTR	DESCRIPTION	DATE	DWN	APVD
			0	DRAWN	-	-	-

1. WIRE BARREL WILL ACCEPT 8 AWG WIRE.
2. MATES WITH PART NUMBER 148432-1.
3. RECOMMENDED CRIMPING TOOL: DANIELS TOOL #M300-BT, POSITIONER PART NUMBER SP689, SETTING #7, STRIP LENGTH 8.13[.320].



RELEASED FOR PUBLICATION

ALL RIGHTS RESERVED. BY AMP INCORPORATED. COPYRIGHT 19

0.00076[.000030] GOLD	CONTACT; BERYLLIUM COPPER RETAINING RING; BERYLLIUM COPPER	148430-1
FINISH	MATERIAL	PART NUMBER

DIMENSIONS: mm TOLERANCES UNLESS OTHERWISE SPECIFIED: 0 PLC ±- 1 PLC ±- 2 PLC ±0.13[.005] 3 PLC ±- 4 PLC ±- ANGLES ±-	DWN 9/23/98 L. BRINER CHK 9/23/98 R. PATTERSON APVD 9/23/98 R. PATTERSON PRODUCT SPEC - APPLICATION SPEC - WEIGHT -	MATERIAL - FINISH - AMP AMP Incorporated Harrisburg, PA 17105-3608 NAME POWER CONTACT, MALE CRIMP, AWG 8, (40 AMP)
	CUSTOMER DRAWING	SIZE A4 CAGE CODE 00779 DRAWING NO C= 148430