

4

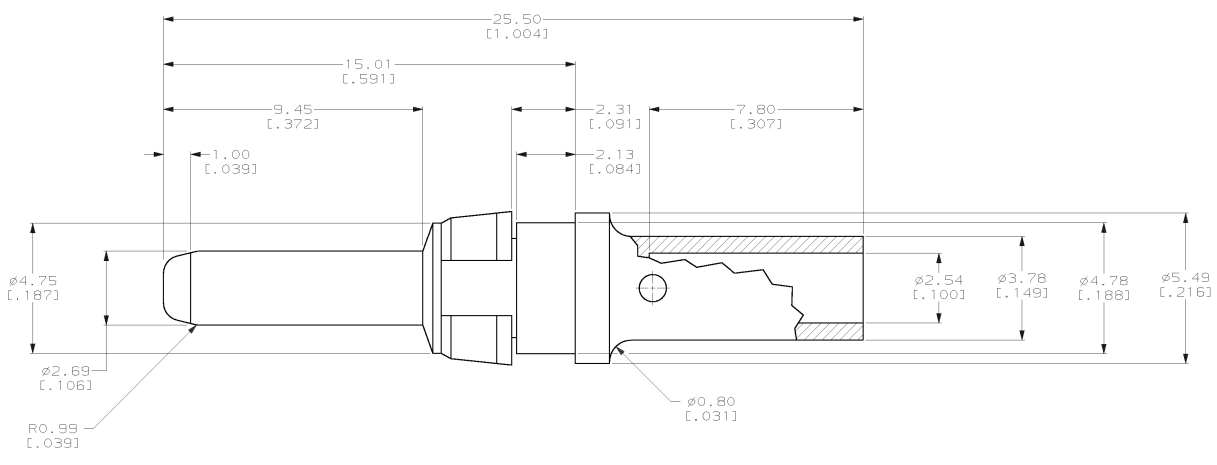
3

2

1

THIS DRAWING IS UNPUBLISHED.  
 (C) COPYRIGHT IS BY AMP INCORPORATED. ALL RIGHTS RESERVED.

REV. NO.	DATE	DESCRIPTION	DATE	BY	APP'D.
AD	25				
C		REDRAWN PER EC 001B-0034-00	23 MAR 00		



- 1. CONTACT: BRASS.  
RETAINING RING: BERYLLIUM COPPER.
- 2. CONTACT: 0.76µm[.000030] MIN GOLD  
OVER 1.27µm[.000050] MIN NICKEL.
- 3. WIRE BARREL WILL ACCEPT 12-14 AWG WIRE.
- 4. MATES WITH 148250-1.
- 5. RECOMMENDED CRIMPING TOOL: DANIELS TOOL  
#M300-BT, POSITIONER PART NUMBER SP689,  
SETTING #1, STRIP LENGTH 8.13[.320].

148249-1  
 PART NUMBER

THIS DRAWING IS A CONTROLLED DOCUMENT.		DATE: 23 MAR 00	 AMP Incorporated Harrisburg, PA 17105-3608
DRAWN BY: B. CARBO		DATE: 23 MAR 00	
CHECKED BY: J. RICHARD		DATE: 23 MAR 00	POWER CONTACT, MALE, CRIMP, MFBL, AWG 12-14 (20 AMP)
APPROVED BY: J. RICHARD		DATE: 23 MAR 00	
DIMENSIONS: mm (INCHES)		PROJECT SPEC: -	STYLE: A2
MATERIAL:		APPLICATION SPEC: -	CASE CODE (CRIMPING NO): 148249
FINISH:		WEIGHT: -	RESTRICTED TO: -
		CUSTOMER DRAWING	SCALE: 10:1 SHEET 1 OF 1 REV C

148249