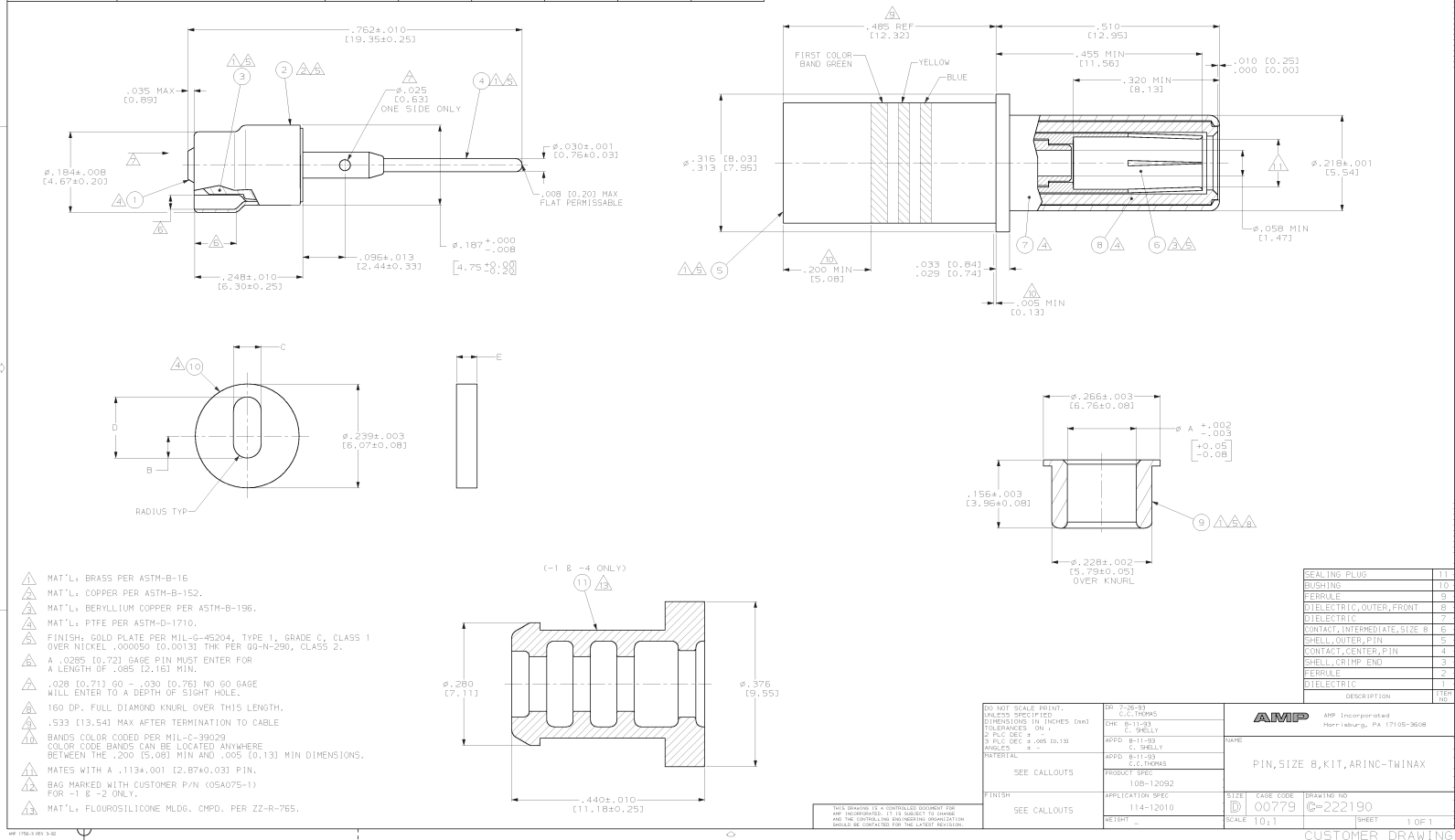


PART NO	CABLE	DIM A	DIM B	DIM C	DIM D	DIM E	REMARKS
222190-1	M17-176-00002, NORTHROP 05A078-1	.143 (3.63)	.032 (0.81)	.054 (1.37)	.112 (2.84)	.047 (1.19)	▲
222190-2	M17-176-00002, NORTHROP 05A078-1	.143 (3.63)	.032 (0.81)	.054 (1.37)	.112 (2.84)	.047 (1.19)	▲
222190-3	TENSALITE 24483880177-0100 (3088381E)	.157 (3.99)	.050 (1.27)	.063 (1.60)	.140 (3.56)	.052 (1.32)	-
222190-4	M17-176-00002, NORTHROP 05A078-1	.143 (3.63)	.032 (0.81)	.054 (1.37)	.112 (2.84)	.047 (1.19)	-

REV	DF	XO	BY	DATE	REV PER	DESCRIPTION	DATE	APP
0					REV PER	0330-0579-00	01	1-01



- ▲ MAT'L: BRASS PER ASTM-B-16
- ▲ MAT'L: COPPER PER ASTM-B-152
- ▲ MAT'L: BERYLLIUM COPPER PER ASTM-B-196
- ▲ MAT'L: PTFE PER ASTM-D-1710
- ▲ FINISH: GOLD PLATE PER MIL-G-45204, TYPE 1, GRADE C, CLASS 1 OVER NICKEL .000050 (0.0013) THK PER QQ-N-290, CLASS 2.
- ▲ A -.0285 (0.721) GAGE PIN MUST ENTER FOR A LENGTH OF .085 (2.16) MIN.
- ▲ .028 (0.71) GO - .030 (0.76) NO GO GAGE WILL ENTER TO A DEPTH OF SIGHT HOLE.
- ▲ 160 DP, FULL DIAMOND KNURL OVER THIS LENGTH.
- ▲ .533 (13.54) MAX AFTER TERMINATION TO CABLE
- ▲ BANDS COLOR CODED PER MIL-C-39029
- ▲ COLOR CODE BANDS CAN BE LOCATED ANYWHERE BETWEEN THE .200 (5.08) MIN AND .005 (0.13) MIN DIMENSIONS.
- ▲ MATES WITH A .113±.001 (2.87±0.03) P.I.N.
- ▲ BAG MARKED WITH CUSTOMER P/N (05A075-1) FOR -1 & -2 ONLY.
- ▲ MAT'L: FLUOROSILICONE MLDG. CMPD. PER ZZ-R-765.

CALLOUT	DESCRIPTION	ITEM NO.
11	SEALING PLUG	11
10	BUSHING	10
9	PERFILLE	9
8	DIELECTRIC, OUTER, FRONT	8
7	DIELECTRIC	7
6	CONTACT, INTERMEDIATE, SIZE 8	6
5	SHELL, OUTER, PIN	5
4	CONTACT, CENTER, PIN	4
3	SHELL, CRIMP END	3
2	PERFILLE	2
1	DIELECTRIC	1

DO NOT SCALE PRINT, UNLESS SPECIFIED. DIMENSIONS IN INCHES (MM) PREFERRED. DR 7-26-83 C. L. THOMS	DR 7-26-83 C. L. THOMS	AMP Incorporated Harrisburg, PA 17105-9608
3 P.L.C. DEC # .005 (0.13) INCHES # 0	CHR 8-11-93 C. SHELLY	
MATERIAL SEE CALLOUTS	APPD 8-11-93 E. C. THOMS	PIN, SIZE 8, KIT, ARINC-TWINAX
FINISH SEE CALLOUTS	PRODUCT SPEC 108-12092	
	APPLICATION SPEC 114-12010	SIZE 00779
	RETURN	SCALE 10:1