

4

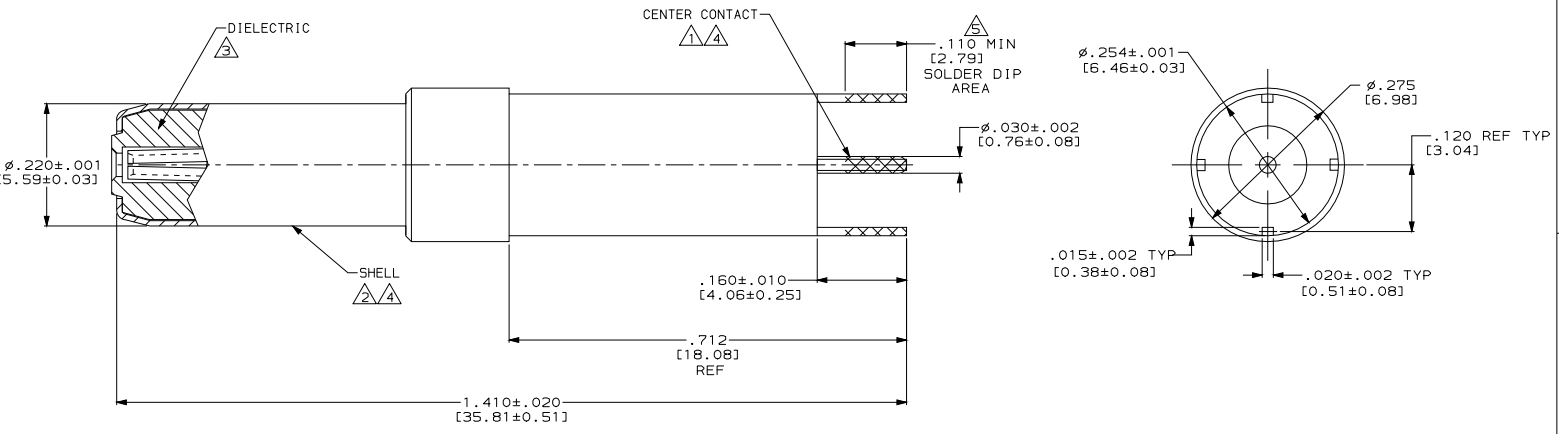
3

2

1

THIS DRAWING IS UNPUBLISHED. RELEASED FOR PUBLICATION
 © COPYRIGHT 19 BY AMP INCORPORATED. ALL RIGHTS RESERVED.

LOC		DIST		REVISIONS			
DF	AO	P	LN	DESCRIPTION	DATE	BY	APPD
		A		REV PER ECO 06-13476	6-7-06	CT	RG



- ▲ BERYLLIUM COPPER PER ASTM-B-197 OR ASTM-B-643.
- ▲ BRASS PER ASTM-B-16.
- ▲ PTFE PER ASTM-D-1710.
- ▲ GOLD PLATE PER ASTM-B-488, TYPE 2, GRADE C, .000050 [0.00127] MIN THK OVER NICKEL PLATE PER QQ-N-290, .000050 [0.00127] MIN THK.
- ▲ THIS AREA SOLDER COATED WITH SN60 OR SN63 SOLDER. (1663130-2 ONLY)

▲	1663130-2
-	1663130-1
SOLDER DIP	PART NUMBER

THIS DRAWING IS A CONTROLLED DOCUMENT. DWG: C. C. THOMAS 10-3-02
 C.K. S. 10-3-02
 S. SLATEFELTER 10-3-02
 S. SLATEFELTER 10-3-02

tyco Electronics TYCO Electronics Harrisburg, PA 17105-3608

PIN CONTACT ASSY, COAX, SIZE 5, REAR RELEASE, POSTED, ARINC 600

SIZE: A2 CASE CODE: 00779 DRAWING NO: 1663130 RESTRICTED TO: A

SCALE: 8:1 SHEET: 1 OF 1 REV: A

CUSTOMER DRAWING