

4

3

2

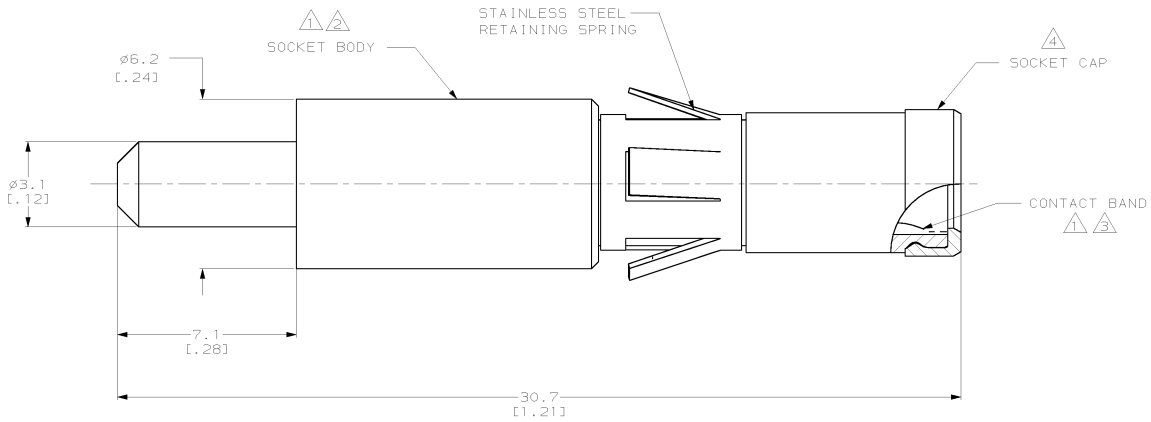
1

194252

THIS DRAWING IS UNPUBLISHED. RELEASED FOR PUBLICATION
 © COPYRIGHT 19 BY AMP INCORPORATED. ALL RIGHTS RESERVED.

REV	DATE	DESCRIPTION	DATE	BY	APPD
0		INITIAL RELEASE	10/24/97	RNP	PRG
A		ECN OB20-1629-97	12/NOV/97	RNP	RAR

- △ MATERIAL: COPPER ALLOY.
 - △ FINISH: SILVER PLATE 5 μM [200 μIN] THICK MIN. OVER 1.2 μM [50 μIN] THICK MIN. NICKEL OVER 0.1 μM [5 μIN] THICK COPPER FLASH.
 - △ FINISH: SILVER PLATE 5 μM [200 μIN] THICK MIN. OVER 1 μM [40 μIN] THICK MIN. NICKEL.
 - △ MATERIAL: ACETYL (DELRIN).
5. ALL DIMENSIONS ARE REFERENCE.



194252-1
PART NO.

THIS DRAWING IS UNPUBLISHED FOR INFORMATION EVALUATION ONLY. NOT TO BE USED FOR PRODUCTION.		DATE: 10/24/97 Dwg No: 194252-1	AMP AMP Incorporated Harrisburg, PA 17105-3608
DIMENSIONS: IN () MM ()	DIMENSIONS SPECIFIED: IN () MM ()	PRODUCT SPEC: APPLICATION SPEC: WEIGHT: CUSTOMER DRAWING	3mm SOCKET ASSY, HIGH CURRENT, SOLDER TAIL SIZE: A2100779 SCALE: 10:1 SHEET: 1 OF 1 REV: A