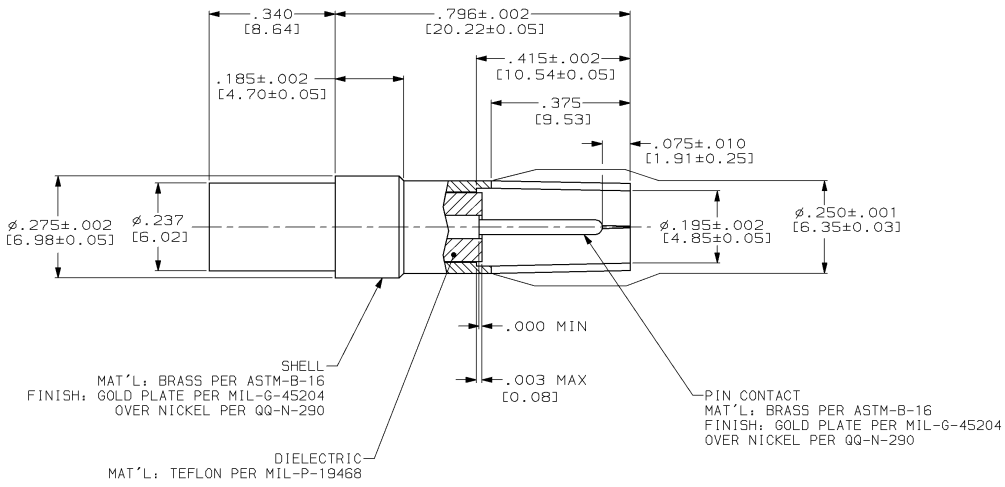
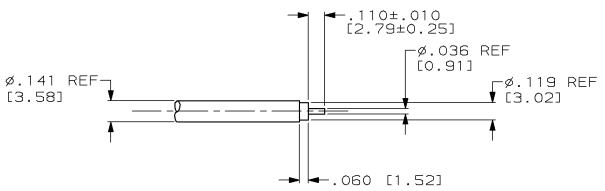


DRAWING MADE IN THIRD ANGLE PROJECTION  
 THIS DRAWING IS UNPUBLISHED. RELEASED FOR PUBLICATION  
 © COPYRIGHT 19 BY AMP INCORPORATED. ALL INTERNATIONAL RIGHTS RESERVED.

PROD		LOC	DIST	REVISIONS				DATE	APPD
CODE	DF	XO	P	F	ZONE	LTR	DESCRIPTION		
3321						B	REV PER 0600-6086-96 CT	11-97	JW



1. FOR USE WITH RG-402, .141 SEMI-RIGID CABLE
2. CABLE CRIMP: USE MILITARY TOOL M22520/5-01, WITH DIE SET M22520/5-11, CAVITY A OR EQUIVALENT
3. CENTER CONTACT CRIMP: USE MILITARY TOOL M22520/2-01, WITH DANIELS POSITIONER K345, SELECTOR SETTING #5



447853-3  
PART NO.

DO NOT SCALE PRINT. UNLESS SPECIFIED DIMENSIONS IN INCHES [mm] TOLERANCES ON: 2 PLC DEC # - 3 PLC DEC # .005 (0.13) ANGLES ± -	DR 7-14-92 C.C. THOMAS	AMP Incorporated Harrisburg, PA 17105-3608		
	CHK 7-20-92 J. CABARLO			
MATERIAL	APPD 7-20-92 C.C. THOMAS	NAME COAXIAL CONTACT, SOCKET, SIZE 9		
FINISH	PRODUCT SPEC	SIZE C	CAGE CODE 00779	DRAWING NO. 447853
	APPLICATION SPEC	SCALE 5:1	SHEET 1 OF 1	
WEIGHT				

CUSTOMER DRAWING

AMP 1471-6 REV 9-89  
16-00-96 13-54-08 amp2790 haw/mj2790/awad