

4

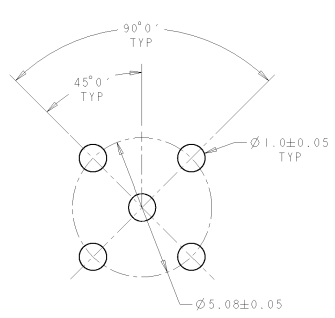
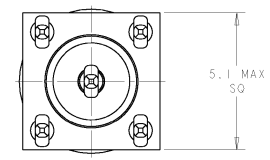
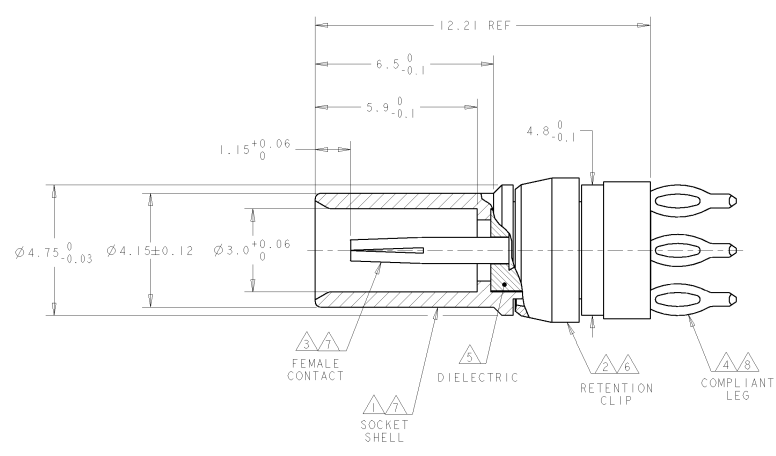
3

2

1

THIS DRAWING IS UNPUBLISHED. RELEASED FOR PUBLICATION BY TYCO ELECTRONICS CORPORATION. ALL RIGHTS RESERVED.

REV	DATE	BY	CHKD	DESCRIPTION
D	10/04/2006	B.S.	R.W.	REVISED PER ECO-06-007956



RECOMMENDED PC BOARD LAYOUT

- △ BRASS PER ASTM-B-16
- △ BERYLLIUM COPPER PER ASTM-B-194
- △ BERYLLIUM COPPER PER ASTM-B-196
- △ PHOS BRONZE PER ASTM-B-103
- △ PTFE PER ASTM-D-1710
- △ NICKEL PLATE PER QQ-N-290
- △ GOLD PLATE PER ASTM-B488
- △ TIN-LEAD PLATE PER ASTM-B-545

148385-1
PART NUMBER

DIMENSIONS: mm		DIMENSIONS: INCHES		DWN A.J. GRAEF 25SEP97	tyco Electronics	Tyco Electronics Harrisburg, PA 17105-3400
DIMENSIONS: mm		DIMENSIONS: INCHES		CBY R.C. HOSLER 25SEP97	SOCKET, PCB, VERTICAL, COMPLIANT TYPE C	
DIMENSIONS: mm		DIMENSIONS: INCHES		APD B.A. PATTERSON 25SEP97	SIZE CASE CODE DRAWING NO A20779C-148385	
MATERIAL FINISH		WEIGHT FINISH		CUSTOMER DRAWING		RESTRICTED TO SCALE 0:1 SHEET 1 OF 1 REV D