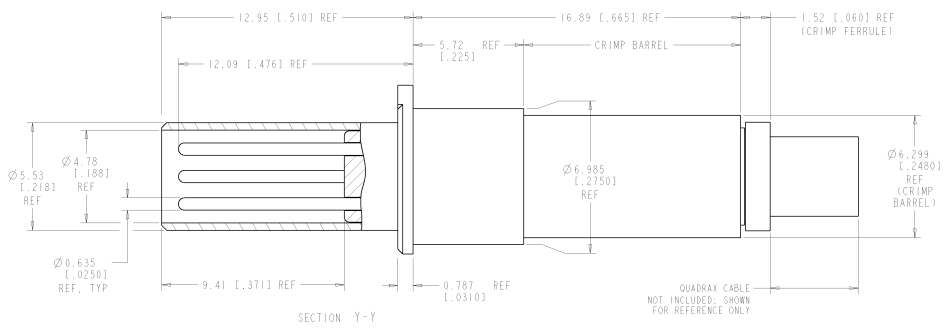
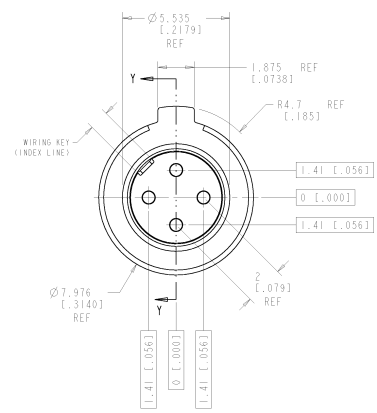
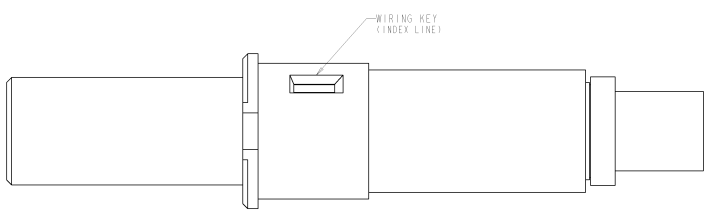


| REV. NO. | | REV. DATE | DESCRIPTION | BY | CHKD | APP'D |
|----------|----|-----------|-------------|----|------|-------|
| 1 | AS | | | | | |
| 2 | | | | | | |
| 3 | | | | | | |
| 4 | | | | | | |



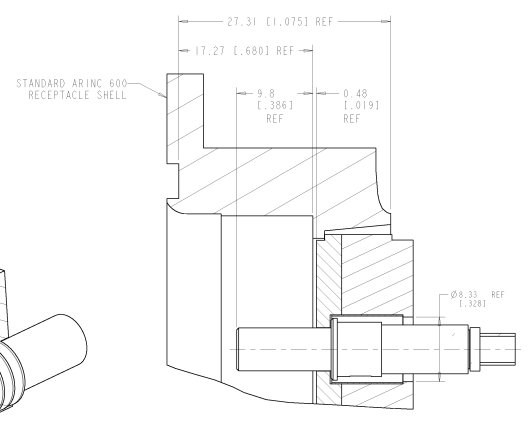
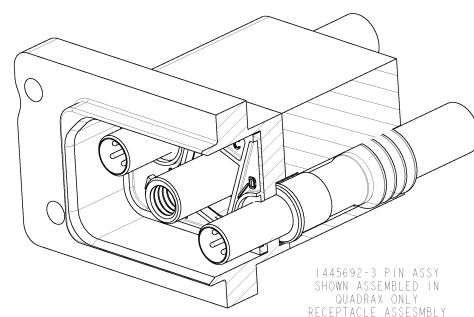
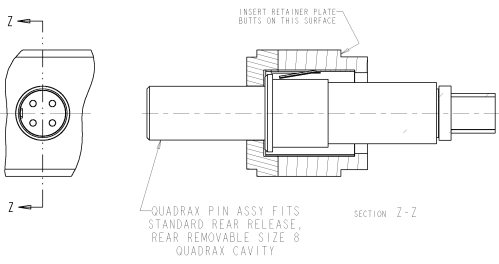
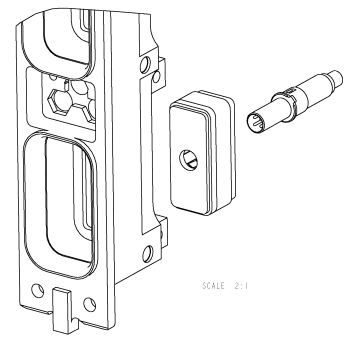
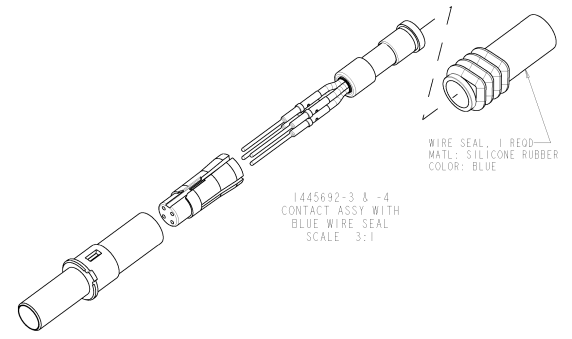
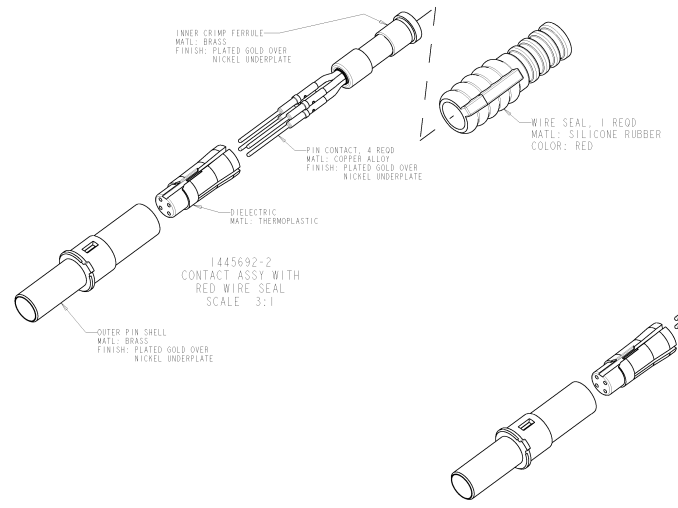
- COMPONENTS ARE PACKAGED IN KIT FORM. CABLE MUST BE PURCHASED SEPARATELY.
 - ASSEMBLY PER APPLICATION SPECIFICATION 114-13123.
 - USE INSERTION-EXTRACTION TOOL 1738894-1.
- TENSOLITE NF24Q100 OR EQUIVALENT
 - DRAKA F4704-4 OR EQUIVALENT

| RECOMMENDED CABLE | CUSTOMER PART NUMBER | SEAL COLOR | DESCRIPTION | PART NO. |
|-------------------|----------------------|------------|----------------------------------|-----------|
| --- | --- | --- | AS SHOWN WITHOUT WIRE SEAL | 1445692-6 |
| --- | --- | BLUE | AS SHOWN WITH WIRE SEAL | 1445692-5 |
| --- | BACC476A1 | BLUE | SAME AS -1 EXCEPT WITH WIRE SEAL | 1445692-4 |
| --- | --- | BLUE | SAME AS -1 EXCEPT WITH WIRE SEAL | 1445692-3 |
| --- | --- | RED | SAME AS -1 EXCEPT WITH WIRE SEAL | 1445692-2 |
| --- | --- | --- | AS SHOWN; WITHOUT WIRE SEAL | 1445692-1 |

| | | | |
|---|--|---|--|
| WIRING KEY (INDEX LINE) POSITIONING KEY MATING FACE VIEW | | CONTACT CAVITY NUMBERING STANDARD CAVITY NUMBER ASSIGNMENT | |
| SECTION Y-Y QUADRAK CABLE NOT INCLUDED; SHOWN FOR REFERENCE ONLY | | CRIMP BARREL CRIMP FERRULE | |

| | | | |
|--|--------------------------------|-------------------------------------|--|
| MATERIAL: 2019-T3 ALUMINUM FINISH: ANODIZED | QUADRAK CABLE QUADRAK CABLE | SEAL COLOR: BLUE SEAL COLOR: RED | DESCRIPTION: ASSEMBLY, PIN, QUADRAK 2mm SO, AIRCRAFT DATA NETWORK, RR/RR, WITH PIN CONTACTS PART NO.: 1445692-1 |
|--|--------------------------------|-------------------------------------|--|

| REV | DATE | DESCRIPTION | BY | CHKD | APPD |
|-----|------|-------------|----|------|------|
| DF | A5 | SEE SHEET 1 | | | |



QUADRAX PIN ASSY SHOWN INSTALLED IN STANDARD ARINC 600, SIZE 8 INSERT WITH REAR RELEASE, REAR REMOVABLE SIZE 8 QUADRAX CAVITY

1445692-3 PIN ASSY SHOWN ASSEMBLED IN QUADRAX ONLY RECEPTACLE ASSEMBLY (1604897)

| | | | |
|---|---|---|--|
| MANUFACTURER: TERRY ELECTRONICS CORPORATION PART NUMBER: 1445692-3 REV: A5 DATE: 04/01/2004 BY: TERRY ELECTRONICS CORPORATION | DRAWING NO: 1445692-3 REV: A5 DATE: 04/01/2004 BY: TERRY ELECTRONICS CORPORATION | TITLE: ASSEMBLY, PIN, QUADRAX 2mm 50, AIRCRAFT DATA NETWORK, BB/BR, WITH PIN CONTACTS PART NUMBER: 1445692-3 REV: A5 DATE: 04/01/2004 BY: TERRY ELECTRONICS CORPORATION | TERRY ELECTRONICS CORPORATION 8111 WYOMING DRIVE HARRISBURG, PA 17110-0008 PHONE: 717-533-1000 FAX: 717-533-1001 WWW: WWW.TERRY-ECN.COM |
|---|---|---|--|