

4

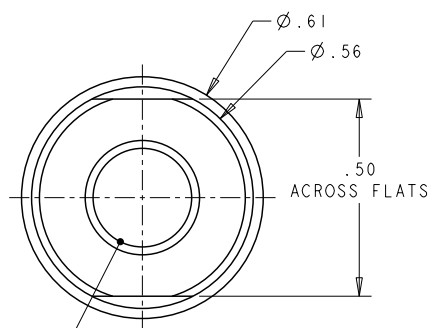
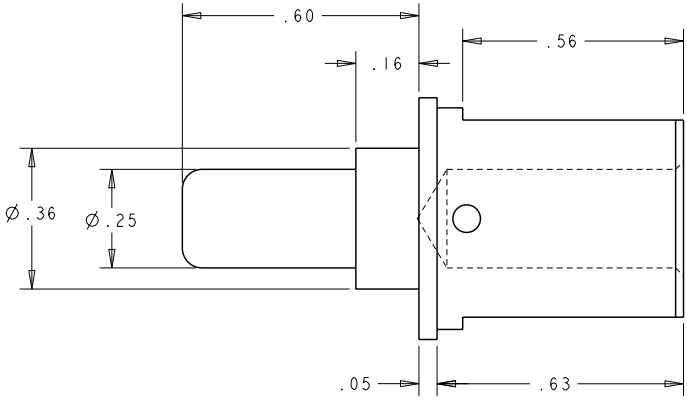
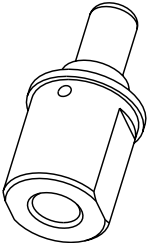
3

2

1

THIS DRAWING IS UNPUBLISHED. RELEASED FOR PUBLICATION 20
 © COPYRIGHT 20 BY TYCO ELECTRONICS CORPORATION. ALL RIGHTS RESERVED.

LOC		DIST		REVISIONS				
P	LTR	DESCRIPTION	DATE	DWN	APVD			
	A	INITIAL RELEASE	02MAR2007	GIP	MP			



1/4-20UNC-2B x .50 DEEP

- PART NUMBER CHANGES AND/OR DESIGN CHANGES AFFECTING ITEM INTERCHANGEABILITY REQUIRE PRIOR TYCO ELECTRONICS APPROVAL AND AUTHORIZATION BY REVISION TO THIS DRAWING.
 - ITEMS PROVIDED TO THIS SPECIFICATION SHALL BE IDENTIFIED ON THE CONTAINER WITH THE FOLLOWING INFORMATION: PART NUMBER & DATE CODE OF MANUFACTURE.
 - MATERIAL: COPPER ALLOY
 - FINISH: SILVER PLATE .000200 MIN THICK OVER NICKEL PLATE .000030 MIN THICK.
- NOTES: UNLESS OTHERWISE SPECIFIED.

1766267-1
PART NUMBER

<small>THIS DRAWING IS A CONTROLLED DOCUMENT FOR TYCO ELECTRONICS CORPORATION IT IS SUBJECT TO CHANGE AND THE CONTROLLING ENGINEERING ORGANIZATION SHOULD BE CONTACTED FOR THE LATEST REVISION.</small>		DWN 02MAR2007 G. PETERS CHK 02MAR2007 M. PERCHERK APVD 02MAR2007 S. FLICKINGER	tyco Electronics Tyco Electronics Harrisburg, PA 17105-3608
DIMENSIONS: INCHES [mm]	TOLERANCES UNLESS OTHERWISE SPECIFIED: 0 PLC ±- 1 PLC ±- 2 PLC ±.02 3 PLC ±.010 4 PLC ±- ANGLES ±-	NAME CONTACT PIN SIZE 1/4 w/ SIZE 1/4 20UNC 2B THREAD	RESTRICTED TO
MATERIAL - FINISH -	PRODUCT SPEC - APPLICATION SPEC - WEIGHT -	SIZE CAGE CODE DRAWING NO A3 00779 C-1766267	CUSTOMER DRAWING