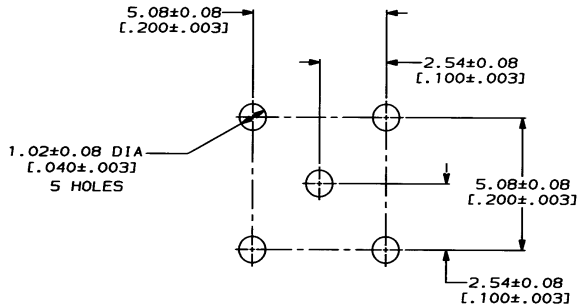
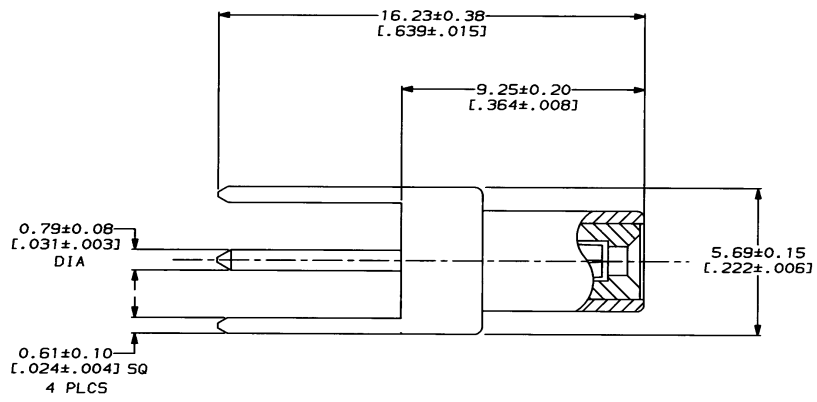


4 3 2 1  
 DRAWING MADE IN THIRD ANGLE PROJECTION  
 THIS DRAWING IS UNPUBLISHED. RELEASED FOR PUBLICATION  
 © COPYRIGHT 19 BY AMP INCORPORATED. ALL INTERNATIONAL RIGHTS RESERVED.

LOC	DIST	P	F	ZONE	LTR	REVISIONS	DATE	APPR
AJ	16				0	REL PER 92-3361-020	01/29/93	JPD

- 1 BRASS PER QQ-B-626
- 2 BERYLLIUM COPPER PER QQ-C-530
- 3 PTFE PER MIL-P-1946B
- 4 NICKEL PL PER QQ-N-290
- 5 GOLD PL PER MIL-G-45204
- 6. DIELECTRIC AND CONTACT ASSEMBLY WILL WITHSTAND 2.5 LB PUSHOUT FORCE DIRECTED FROM MATING END



PCB CONFIGURATION

414509-1  
 PART NUMBER

DO NOT SCALE PRINT. UNLESS SPECIFIED DIMENSIONS IN mm (INCHES) TOLERANCES ON:		DR 01/29/93 J.DAVIS		AMP Incorporated Harrisburg, PA 17105-3608	
2 PLC DEC ± -		CHK 01/29/93 G.MICHAEL			
ANGLES ± -		APPD 01/29/93 G.MICHAEL		NAME	
RI/VERTIAL		APPD 01/29/93 J.DAVIS		PIN, PCB, VERT, SIZE 8	
		PRODUCT SPEC			
FINISH		#Z#CIS		SIZE	CAGE CODE
				SCALE	DRAWING NO
		WEIGHT			00779
					C-414509
					SHEET 1 OF 1

THIS DRAWING IS A CONTROLLED DOCUMENT FOR AMP INCORPORATED. IT IS SUBJECT TO CHANGE AND THE CONTROLLING ENGINEERING ORGANIZATION SHOULD BE CONTACTED FOR THE LATEST REVISION.

CUSTOMER DRAWING

1R128>DEPT1435>AMP32950>U.S.M2