

4

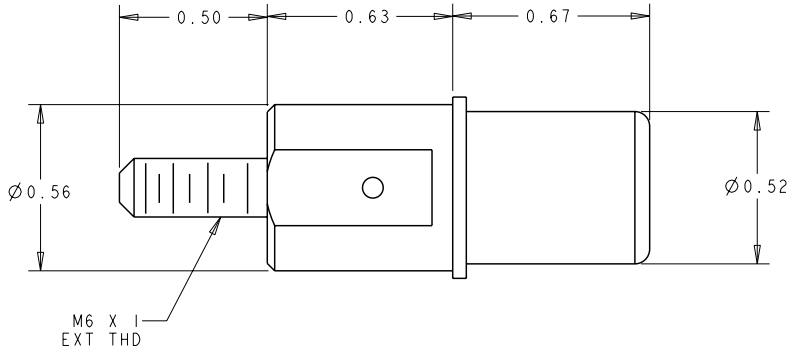
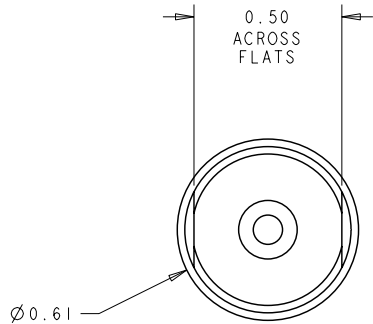
3

2

1

THIS DRAWING IS UNPUBLISHED. RELEASED FOR PUBLICATION 20  
 © COPYRIGHT 20 BY TYCO ELECTRONICS CORPORATION. ALL RIGHTS RESERVED.

| LOC |     | DIST        |           | REVISIONS |      |  |  |
|-----|-----|-------------|-----------|-----------|------|--|--|
| P   | LTR | DESCRIPTION | DATE      | DWN       | APVD |  |  |
|     | A   | NEW RELEASE | 22OCT2008 | CR        | DO   |  |  |
|     |     |             |           |           |      |  |  |
|     |     |             |           |           |      |  |  |



- PART NUMBER CHANGES AND/OR DESIGN CHANGES AFFECTING INTERCHANGEABILITY REQUIRE PRIOR TYCO ELECTRONICS APPROVAL AND AUTHORIZATION BY REVISION TO THIS DRAWING
- ITEMS PROVIDED TO THIS SPECIFICATION TO BE PERMANENTLY IDENTIFIED PER THE FOLLOWING IDENTIFIER LABEL

YEAR WEEK  
 TYCO ELECTRONICS P/N DATE CODE (e.g. 0106)  
 XXXXXXX-X XXXX

3 MATERIALS:  
 CONTACTS: COPPER ALLOY  
 CROWN BAND: COPPER ALLOY

4 FINISHES:  
 CONTACTS: SILVER PLATE: .000200/.000300 THK OVER  
 NICKEL PLATE: .000050 MIN THK  
 CROWN BAND: GOLD: .000040 MIN THK OVER  
 NICKEL PLATE: .000040 THK

|             |           |
|-------------|-----------|
| AS SHOWN    | 6648430-1 |
| DESCRIPTION | PART NO.  |

|   |  |   |   |
|---|--|---|---|
| <small>THIS DRAWING IS A CONTROLLED DOCUMENT FOR TYCO ELECTRONICS CORPORATION<br/>         IT IS SUBJECT TO CHANGE AND THE CONTROLLING ENGINEERING ORGANIZATION<br/>         SHOULD BE CONTACTED FOR THE LATEST REVISION.</small> |  | DWN 22OCT2008<br>C. ROHLER<br>CHK 22OCT2008<br>D. ORRIS<br>APVD 22OCT2008<br>M. PERCHERKE | Tyco Electronics<br>Harrisburg, PA 17105-3608 |
| DIMENSIONS:<br>INCHES<br>   | TOLERANCES UNLESS<br>OTHERWISE SPECIFIED:<br>0 PLC ±.<br>1 PLC ±.<br>2 PLC ±.01<br>3 PLC ±.005<br>4 PLC ±.<br>ANGLES ±.5 | NAME CONTACT, SOCKET, SIZE #0<br>M6 X 1 EXT THD, SINGLE CROWN<br>DRAWER                   | RESTRICTED TO<br>-                            |
| MATERIAL - 3<br>FINISH - 4  | WEIGHT -<br>SIZE A3<br>CAGE CODE 00779<br>DRAWING NO. C-6648430  | CUSTOMER DRAWING  | SCALE 3:1<br>SHEET 1 OF 1<br>REV A            |