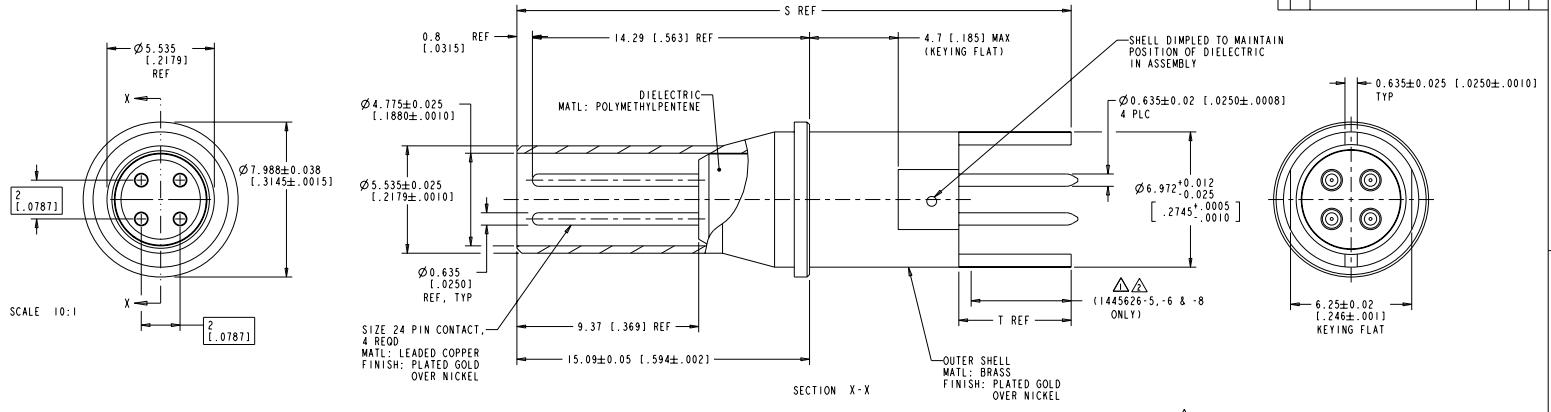
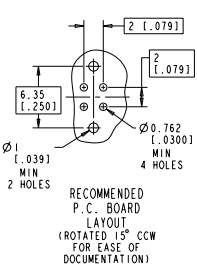
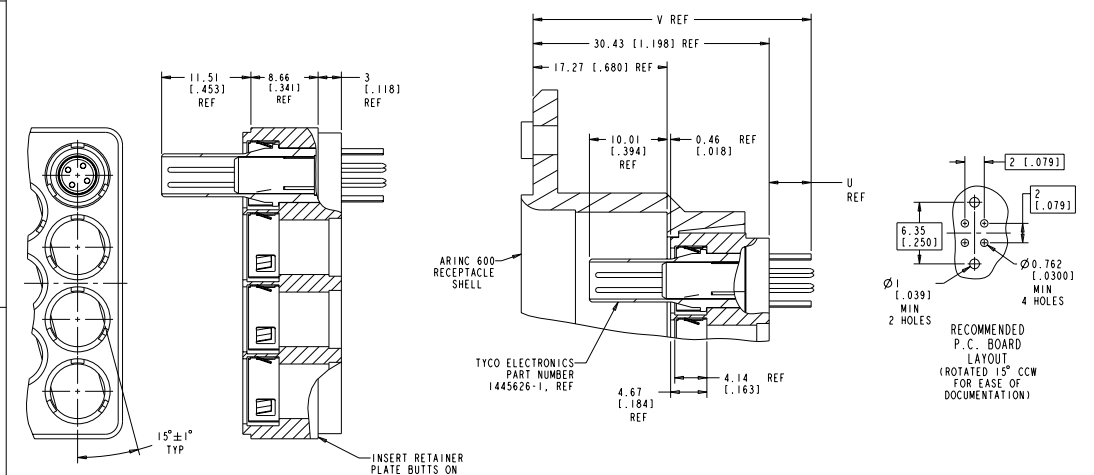


REV	DATE	DESCRIPTION	BY	CHK	APP
J	REV PER ECO 10-015874				



THIS AREA SOLDER DIPPED. SOLDER TAIL DIMENSIONS APPLY PRIOR TO SOLDER DIP.
SOLDER IS RoHS COMPLIANT Sn.



QUADRAX PIN ASSY, 1445626-1, SHOWN INSTALLED IN ARINC 664, SIZE 2 INSERT WITH SIZE 8, FRONT RELEASE, FRONT REMOVABLE CAVITY

V REF	U REF	T REF	S REF	DESCRIPTION	PART NO.
37.49 (1.476)	7.06 (.278)	8.25 (.325)	30.25 (1.191)	SAME AS 1445626-9 EXCEPT TAILS ARE SOLDER DIPPED	1-1445626-0
37.49 (1.476)	7.06 (.278)	8.25 (.325)	30.25 (1.191)	SAME AS 1445626-1 EXCEPT WITH .278 SOLDER TAIL LENGTH	1445626-9
39.95 (1.573)	9.52 (.375)	10.72 (.422)	33.50 (1.319)	SAME AS 1445626-2 EXCEPT TAILS ARE SOLDER DIPPED	1445626-8
35.84 (1.411)	5.41 (.213)	5.79 (.228)	28.58 (1.125)	SAME AS 1445626-1 EXCEPT TAILS ARE SOLDER DIPPED	1445626-6
36.78 (1.448)	6.35 (.250)	7.54 (.297)	30.33 (1.194)	SAME AS 1445626-4 EXCEPT TAILS ARE SOLDER DIPPED	1445626-5
36.78 (1.448)	6.35 (.250)	7.54 (.297)	30.33 (1.194)	SAME AS 1445626-1 EXCEPT WITH .250 SOLDER TAIL LENGTH	1445626-4
34.65 (1.364)	4.2 (.166)	4.60 (.181)	27.30 (1.078)	SAME AS 1445626-1 EXCEPT WITH .166 SOLDER TAIL LENGTH	1445626-3
39.95 (1.573)	9.52 (.375)	10.72 (.422)	33.50 (1.319)	SAME AS 1445626-1 EXCEPT WITH .375 SOLDER TAIL LENGTH	1445626-2
35.84 (1.411)	5.41 (.213)	5.79 (.228)	28.58 (1.125)	PER ARINC 664 STANDARD:	1445626-1

REVISED BY: [Signature]	DATE: JAN2004	DESIGNED BY: [Signature]	DATE: JAN2004
DR: [Signature]	DATE: [Signature]	CHKD BY: [Signature]	DATE: [Signature]
TITLE: ASSEMBLY, PIN, QUADRAX, 2mm SQ, FRONT RELEASE-FRONT REMOVABLE, ADN, WITH PIN CONTACTS		PART NO: 1445626	
DRAWING NO: 114-13123		REV: A	
CUSTOMER DRAWING		PAGE 2 OF 2	