

4

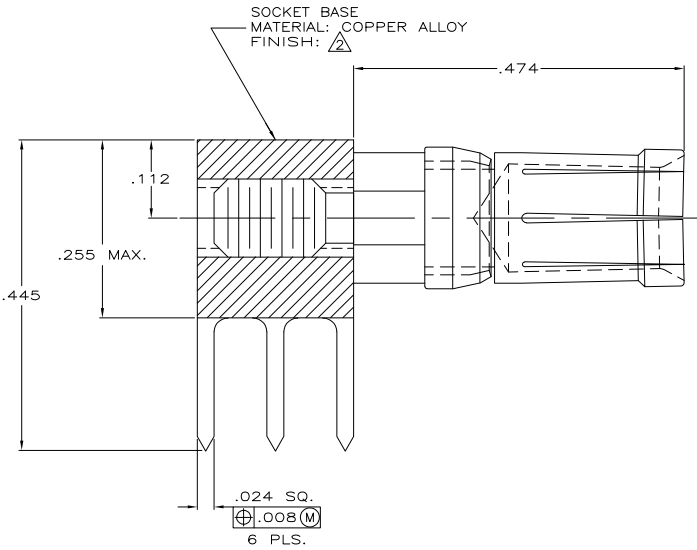
3

2

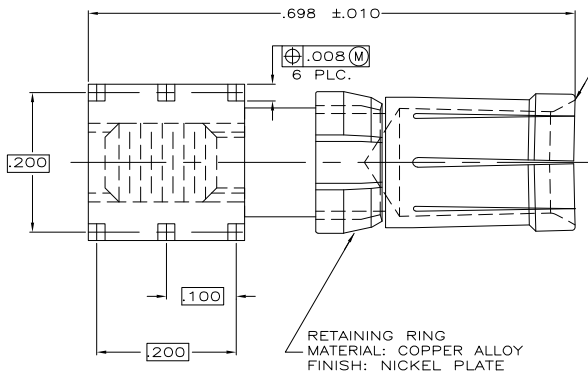
1

THIS DRAWING IS UNPUBLISHED. RELEASED FOR PUBLICATION
 © COPYRIGHT BY TYCO ELECTRONICS CORPORATION. ALL RIGHTS RESERVED.

LOC	DIST	REVISIONS		
AD	25	P	LTR	DATE
		O		RELEASED PER EC 0512-0634-04
				190EC05 JDP/AMS



- Δ SOCKET CONTACT FINISH : GOLD PLATE OVER NICKEL UNDERPLATE.
- Δ SOCKET BASE FINISH : TIN PLATE OVER NICKEL UNDERPLATE.



5532823
 5532823-2
 PART NUMBER

THIS DRAWING IS A CONTROLLED DOCUMENT.		DIM J. POLIGNONE 190EC05 CHK A. SHARPE 190EC05 APP A. SHARPE 190EC05 PRODUCT SPEC APPLICATION SPEC WEIGHT CUSTOMER DRAWING	Tyco Electronics Corporation Harrisburg, PA 17105-3608 CONTACT, RECEPTACLE, RIGHT ANGLE, HDI, POWER, SOLDER SIZE CASE CODE DRAWING NO A2 00779 C-5532823 SCALE 10:1 SHEET 1 of 1 REV 0	RESTRICTED TO
DIMENSIONS:	DIMENSIONS UNLESS OTHERWISE SPECIFIED: 0 PLC ± .005 1 PLC ± .005 2 PLC ± .005 3 PLC ± .005 4 PLC ± .005 ANGLES ± .5°			
MATERIAL	FINISH			

AMP 1471-9 REV 31MM2000