

4

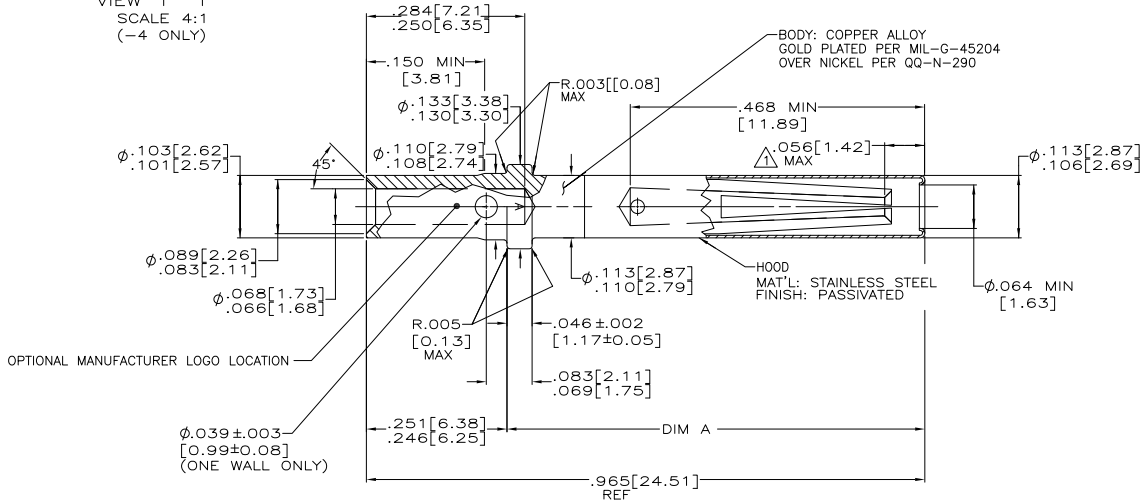
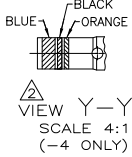
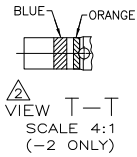
3

2

1

THIS DRAWING IS UNPUBLISHED. RELEASED FOR PUBLICATION
 © COPYRIGHT BY TYCO ELECTRONICS CORPORATION. ALL RIGHTS RESERVED.

LOC	DIST	REVISIONS					
DF	AO	P	LTR	DESCRIPTION	DATE	MIN	APD
		J		REV PER EDD 07-01&300	8-22-07	CT	KH



- 1 ELECTRICAL ENGAGEMENT POINT.
- 2 COLORS IN BIN CODE BAND MUST MEET EIA STD RS-359 OR USAS C83.1-1969 WITHIN THE EXTENDED LIMITS OF COLOR TOLERANCE NOTATIONS & COLOR CHIPS. LEFT BAND TO BE APPROX. TWICE THE WIDTH OF THE OTHER BANDS. FLAKING IN CRIMP AREA ACCEPTABLE PROVIDED COLOR BANDS ARE IDENTIFIABLE.

.714 ± .004 [18.14 ± 0.10]	SEE VIEW Y-Y	208270-4
.718 ± .005 [18.24 ± 0.13]	SEE VIEW T-T	208270-2
DIM A	COLOR CODE	PART NUMBER

DIMENSIONS:		OTHER DIMENSIONS:		APPROVED:		DATE:	
INCHES	(mm)	PLC	PLC	DATE	DATE	DATE	DATE
0	PLC	0	PLC	0	PLC	0	PLC
1	PLC	1	PLC	1	PLC	1	PLC
2	PLC	2	PLC	2	PLC	2	PLC
3	PLC	3	PLC	3	PLC	3	PLC
4	PLC	4	PLC	4	PLC	4	PLC
MATERIAL:		FINISH:		APPLICATION SPEC:		SIZE	
SEE CALLOUTS		SEE CALLOUTS		—		A2 00779 C-208270	
CUSTOMER DRAWING				SCALE		SHEET	
				8:1		1 of 1	

AMP 1471-9 REV 31MM2000

21AUG2007 1:31pm us016412 H:\docmod\208270_1_c.dwg

208270

A