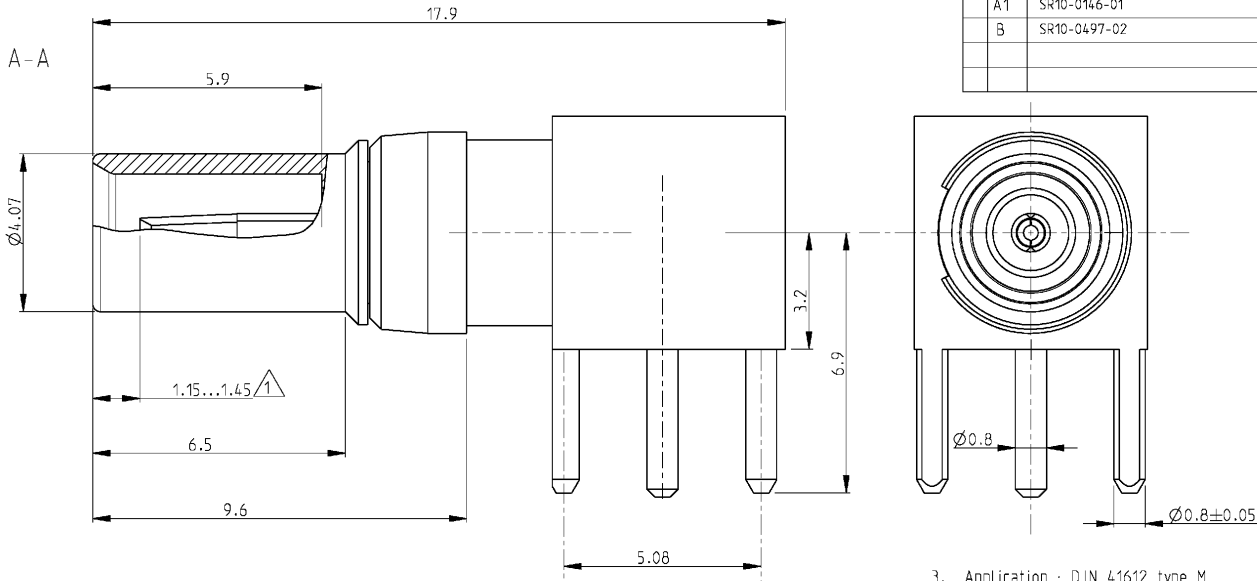


THIS DRAWING IS UNPUBLISHED. RELEASED FOR PUBLICATION 2000
 COPYRIGHT 2000 BY TYCO ELECTRONICS CORPORATION. ALL RIGHTS RESERVED.

LOC	DIST	REVISIONS			
P	LTR	DESCRIPTION	DATE	DWN	APVD
A1		SR10-0146-01	09APR2001	CM	KM
B		SR10-0497-02	22NOV2002	KM	KM



- 3. Application : DIN 41612 type M
- 2. Mating face according to DIN 41626 . Part 2

△ Control dimension

All dimensions are max dimensions unless otherwise specified

V23601-A1227-E1	1-1393662-4	Dielectric	PTFE	
		Outer Con.	Brass	1µm Au min in contact area
		Center Con.	Cu Be	1µm Au min in contact area
Old Nr	Tyco Nr	Description	Material	Plating

<small>THIS DRAWING IS A CONTROLLED DOCUMENT FOR TYCO ELECTRONICS CORPORATION. IT IS SUBJECT TO CHANGE AND THE CONTROL NO. INDICATED BREAK-DOWN TABLE SHOULD BE CONTACTED FOR THE LATEST REVISION.</small>		DWN 04APR2001 CHK MCROBE MATTHEEUS APVD 9APR2001 LEFMAN	Tyco Electronics Dostkamp - Belgium
DIMENSIONS: mm 	TOLERANCES UNLESS OTHERWISE SPECIFIED: 0 PLC ± 1 PLC ±0.5 2 PLC ±0.13 3 PLC ±0.013 4 PLC ±0.0001 ANGLES ±	NAME PRODUCT SPEC 108-71032 APPLICATION SPEC	BULKHEAD ANGLE JACK WITH PCB CONNECTION 1.0/2.3 INSERT 50 Ohm
MATERIAL - FINISH -	MATERIAL - FINISH -	WEIGHT - SIZE A3 CAGE CODE 00779 DRAWING NO C-1-1393662-4	RESTRICTED TO - SCALE 10/1 SHEET 1 OF 1 REV B

