

4

3

2

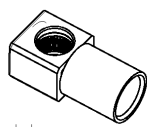
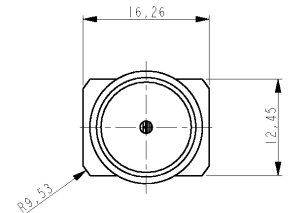
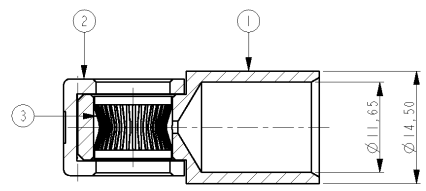
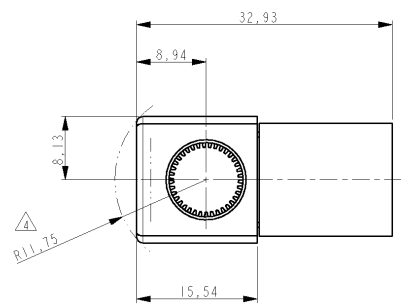
1

THIS DRAWING IS UNPUBLISHED. RELEASED FOR PUBLICATION 20
 COPYRIGHT 20 BY TYCO ELECTRONICS CORPORATION. ALL RIGHTS RESERVED.

LOC	DIST	REVISIONS			
P	LTR	DESCRIPTION	DATE	DWN	APVD
	B	FIRST ISSUE	22AUG2007	JV	RL

NOTES:

- ITEMS PROVIDED TO THIS SPECIFICATION SHALL BE IDENTIFIED ON THE CONTAINER WITH THE FOLLOWING INFORMATION: PART NUMBER & DATE CODE OF MFR.
- MATERIALS:
 SOCKET BODY: TeCu
 CROWN CONTACT: BeCu
 HOUSING: THERMOPLASTIC, 94V-0, COLOR PER TABLE
- FINISHES:
 SOCKET BODY: SILVER PLATING: MIN. 5µm
 OVER MIN. 1µm NICKEL.
 CROWN CONTACT: GOLD PLATING: MIN. 0.15µm
 OVER MIN. 1µm NICKEL.
- ROTATION ARC.
- FOR TERMINATION REFER TO 1926079-1
- MAXIMUM CABLE DIAMETER NOT TO EXCEED 1/2"



SCALE 1:1

6648234-3	BLUE
6648234-2	RED
6648234-1	BLACK

ITEM NO.	DESCRIPTION	QUANT.
3	CROWN, CONTACT, SIZE #0	1
2	HOUSING, CROWN SOCKET, SIZE #2	1
1	CONTACT SOCKET BODY, RIGHT ANGLE, SIZE #0	1

<small>THIS DRAWING IS A CONTROLLED DOCUMENT FOR TYCO ELECTRONICS CORPORATION. IT IS SUBJECT TO CHANGE AND THE CONTROLLING ENGINEERING ORGANIZATION SHOULD BE CONTACTED FOR THE LATEST REVISION.</small>		DWN 23-Aug-07 J.VOS CHK 23-Aug-07 R. LOKKER APVD 23-Aug-07 I. BROEKSTIG	Tyco Electronics Corporation 's-Hertogenbosch, Nederland
DIMENSIONS: mm 	TOLERANCES UNLESS OTHERWISE SPECIFIED: 0 PLC ±0.2 1 PLC ±0.1 2 PLC ±0.05 3 PLC ±0.025 4 PLC ±0.005 ANGLES ±2°	NAME JUMPER, CROWN SOCKET, PIN SIZE #0 WITH #0 AWG CRIMP BARREL PRODUCT SPEC - APPLICATION SPEC - WEIGHT -	SIZE A3 CAGE CODE 00779 DRAWING NO. C-6648234 RESTRICTED TO -
MATERIAL -	FINISH -	CUSTOMER DRAWING	SCALE 2:1 SHEET 1 OF 1 REV B

AMP 1470-19 REV 31MAR2000

P12/ENGINEER DRAWING