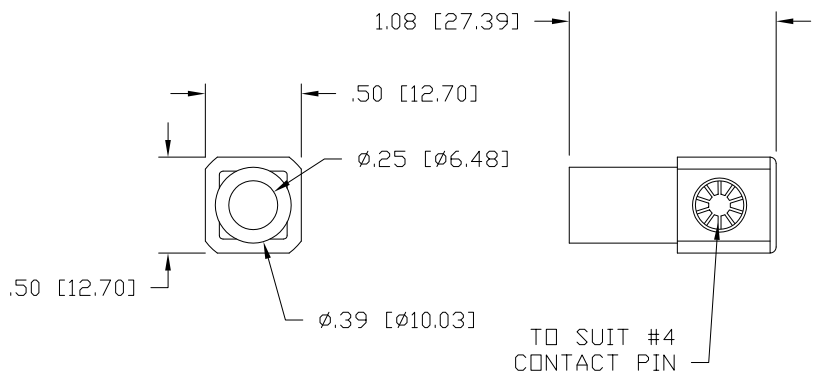


This drawing involves proprietary design rights of Tyco Electronics Corporation, and all design, manufacturing, reproduction, use and sale rights regarding the same are expressly reserved. It is admitted for a specific purpose and the recipient by accepting this drawing assumes custody and control and reproduces in whole or in part, or its contents revealed in any manner, or to any person except for the purpose for which it was delivered and (b) that any special features peculiar to this design will not be incorporated in other projects without the expressed written permission of Tyco Electronics Corporation.

| REVISIONS |     |             |          |
|-----------|-----|-------------|----------|
| EC        | REV | DESCRIPTION | DATE     |
|           | A   | NEW RELEASE | 08.19.05 |



5. REFERENCE TYCO PART NUMBER 6648239-1
4. FINISH:  
 SOCKET HOUSING - SILVER PLATED  
 CROWN CONTACT - GOLD PLATED  
 INSULATOR - AS MOLDED - BLACK
3. MATERIAL:  
 CROWN CONTACT - BERYLLIUM COPPER ALLOY  
 SOCKET HOUSING - TELLURIUM COPPER ALLOY  
 INSULATOR - THERMOPLASTIC, UL94V-0, COLOR - BLACK

2. ITEMS PROVIDED TO THIS SPECIFICATION SHALL BE IDENTIFIED ON THE CONTAINER WITH THE FOLLOWING INFORMATION:  
 PART NUMBER AND DATE CODE OF MANUFACTURE.

1. PART NUMBER CHANGES AND/OR DESIGN CHANGES AFFECTING ITEM INTERCHANGEABILITY REQUIRE PRIOR TYCO APPROVAL AND AUTHORIZATION BY REVISION TO THIS DRAWING.

NOTES: UNLESS OTHERWISE SPECIFIED:

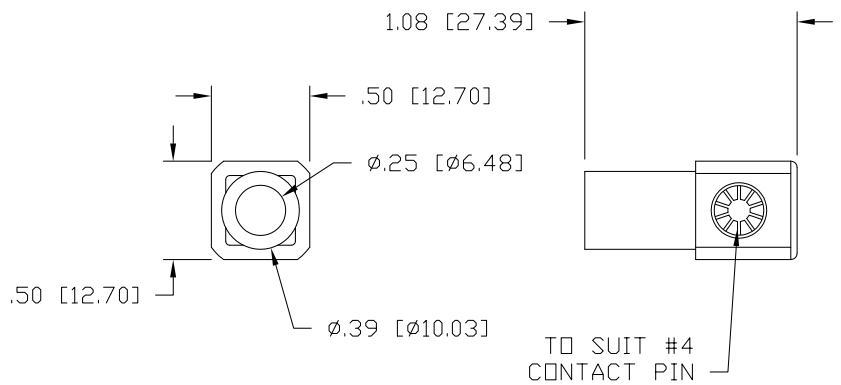
|   |                         |                  |  |
|---|-------------------------|------------------|--|
| INCH OR INCH (MM)<br><br>THIRD ANGLE PROJECTION<br>UNLESS OTHERWISE SPECIFIED DIMENSIONS ARE IN INCHES (METRIC) | DRAWN<br>LOVATO         | DATE<br>08.19.05 | <br>Tyco Electronics Corporation<br>Menlo Park, Ca 94025<br> |
|   | CHECKED                 |                  |  |
| TOLERANCES<br>ANGLES ± .5°<br>DECIMALS<br>.XXX ±.020 [.508]<br>.XX ±  | APPROVED<br>D. CHAU     | 11/10/05         | SIZE DWG NUMBER<br>B C= 6648239                              |
|   | APPROVED<br>M. VIZCARRA | 11/10/05         | REV.<br>A  |
| ACAD FILE NUMBER C6648239A.DWG  |                         | DWG SCALE 2=1    | SH 1 OF 2  |

4 3 2 1

4 3 2 1

This drawing involves proprietary design rights of Tyco Electronics Corporation, and all design, manufacture, reproduction, use and sale rights regarding the same are expressly reserved. It is submitted for a specific purpose and the recipient by accepting this drawing, assumes custody and control and agrees to take reasonable precautions (a) that this drawing will not be copied and reproduced in whole or in part, or its contents revealed in any manner, or to any person except to meet the purpose for which it was delivered and (b) that any special features peculiar to this design will not be incorporated in other projects without the expressed written permission of Tyco Electronics Corporation.

| REVISIONS |     |             |          |
|-----------|-----|-------------|----------|
| EC        | REV | DESCRIPTION | DATE     |
|           | A   | NEW RELEASE | 08.19.05 |



5. REFERENCE TYCO PART NUMBER 6648239-2

4. FINISH:

- SOCKET HOUSING - SILVER PLATED
- CROWN CONTACT - GOLD PLATED
- INSULATOR - AS MOLDED - RED

3. MATERIAL:

- CROWN CONTACT - BERYLLIUM COPPER ALLOY
- SOCKET HOUSING - TELLURIUM COPPER ALLOY
- INSULATOR - THERMOPLASTIC, UL94V-0, COLOR - RED

2. ITEMS PROVIDED TO THIS SPECIFICATION SHALL BE IDENTIFIED ON THE CONTAINER WITH THE FOLLOWING INFORMATION:  
PART NUMBER AND DATE CODE OF MANUFACTURE.

1. PART NUMBER CHANGES AND/OR DESIGN CHANGES AFFECTING ITEM INTERCHANGEABILITY REQUIRE PRIOR TYCO APPROVAL AND AUTHORIZATION BY REVISION TO THIS DRAWING.

NOTES: UNLESS OTHERWISE SPECIFIED:

|  |  |                      |  |  |           |
|--|--|----------------------|--|--|-----------|
| INCH<br>MM<br><br>THIRD ANGLE PROJECTION<br>UNLESS OTHERWISE SPECIFIED DIMENSIONS ARE IN INCHES (METRIC)<br>TOLERANCES<br>ANGLES ± .5°<br>DECIMALS<br>.XXX ±.020 [.508]<br>.XX ± | DRAWN<br>LOVATO                                    | DATE<br>08.19.05     | <br>Tyco Electronics Corporation<br>Menlo Park, Ca 94025<br> | TITLE<br>JUMPER, CROWN SOCKET<br>SIZE No. 4 CROWN RIGHT ANGLE<br>WITH No. 6 CRIMP BARREL | REV.<br>A |
|  | CHECKED  |                      |  |  |           |
|  | APPROVED   |                      | SIZE<br>B  |  |           |
|  | APPROVED<br>D. CHAU<br>DCA APPROVED<br>M. VIZCARRA | 11/10/05<br>11/10/05 | ACAD FILE NUMBER<br>C6648239A.DWG                            | DWG SCALE<br>2=1   | SH 2 OF 2 |