

4

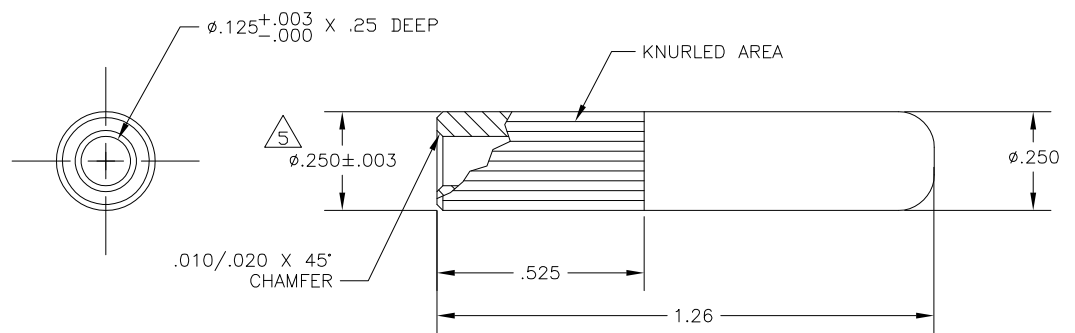
3

2

1

THIS DRAWING IS UNPUBLISHED. RELEASED FOR PUBLICATION  
 © COPYRIGHT - BY TYCO ELECTRONICS CORPORATION. ALL RIGHTS RESERVED.

LOC	DIST	REVISIONS					
GP	00	P	LTR	DESCRIPTION	DATE	DWN	APVD
		A		RELEASED	03APR06	RG	PD



5. DIAMETER OVER KNURL.

4. FINISH: SILVER .000200 MIN THK. OVER NICKEL .000040 MIN THK.
3. MATERIAL: BRASS ALLOY.
2. ITEMS PROVIDED TO THIS SPECIFICATION SHALL BE IDENTIFIED ON THE CONTAINER WITH THE FOLLOWING INFORMATION: PART NUMBER & DATE CODE OF MFG.
1. PART NUMBER CHANGES AND/OR DESIGN CHANGES AFFECTING ITEM INTERCHANGEABILITY REQUIRE PRIOR TYCO APPROVAL AND AUTHORIZATION BY REVISION TO THIS DRAWING.

1766278-1  
PART NUMBER

THIS DRAWING IS A CONTROLLED DOCUMENT.		DWN R.GRZYBOWSKI	04APR2006	<b>tyco</b> Electronics	Tyco Electronics Corporation Harrisburg, PA 17105-3608	
DIMENSIONS: INCHES		CHK P.DAMATO	03APR06		NAME S.FLICKINGER	CONTACT, PIN, .25 DIA. WITH KNURLED BODY P/N: 711-39-02107
TOLERANCES UNLESS OTHERWISE SPECIFIED:		APVD S.FLICKINGER	03APR06	PRODUCT SPEC	SIZE A3	CAGE CODE 00779
0 PLC ± -		APPLICATION SPEC		DRAWING NO C-1766278	RESTRICTED TO	
1 PLC ± -		WEIGHT				
2 PLC ± .01						
3 PLC ± .005						
4 PLC ± -						
ANGLES ± .5						
MATERIAL SEE NOTE 3	FINISH SEE NOTE 4	CUSTOMER DRAWING		SCALE 1:1	SHEET 1 of 1	REV A

ELCON

AMP 1470-19 REV 31MAR2000