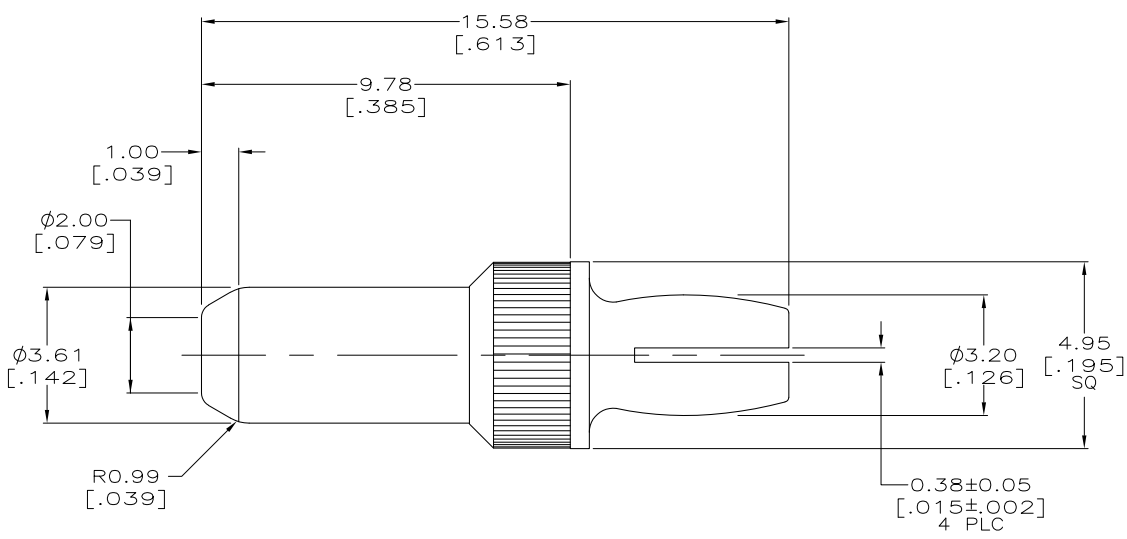


THIS DRAWING IS UNPUBLISHED. RELEASED FOR PUBLICATION  
 © COPYRIGHT BY TYCO ELECTRONICS CORPORATION. ALL RIGHTS RESERVED.

LOC	DIST	REVISIONS			
P	LTR	DESCRIPTION	DATE	DWN	APVD
AD	00				
B		REV PER EC 0512-0302-05	05DEC05	BC	GS
C		ECR-10-019054	15SEP10	DP	MQW



148546-1  
 PART NUMBER

- △ CONTACT: COPPER ALLOY.
- △ CONTACT: 0.76µm[.000030] MIN GOLD OVER 1.27µm[.000050] MIN NICKEL.
- 3. COMPLIANT PIN REQUIRES A 2.36[.093] MIN THICK PC BOARD. DRILLED HOLES ARE  $\varnothing 3.13 \pm 0.08$  [.123±.003] WITH  $0.05 \pm 0.025$  [.002±.001] COPPER AND 0.005[.0001] MIN TIN-LEAD. FINISHED HOLE SIZE TO BE  $3 \pm 0.08$  [.118±.003].

THIS DRAWING IS A CONTROLLED DOCUMENT.		DWN B.CARBO 25 AUG 99	Tyco Electronics Corporation Harrisburg, PA 17105-3608	
DIMENSIONS: mm [INCHES]		CHK C.RICHARD 25 AUG 99	NAME POWER CONTACT, MALE, PRESS FIT, (40 AMP)	
TOLERANCES UNLESS OTHERWISE SPECIFIED:		APVD C.RICHARD 25 AUG 99	RESTRICTED TO	
<ul style="list-style-type: none"> <li>Ø-PLG ± .02</li> <li>1-PLG ± .02</li> <li>2-PLG ± .02</li> <li>3-PLG ± 0.13 [-.005]</li> <li>4-PLG ± .02</li> <li>ANGLES ± .5</li> </ul>		PRODUCT SPEC	SIZE CAGE CODE DRAWING NO	
MATERIAL	FINISH	APPLICATION SPEC	A3 00779 C=148546	REVISIONS
1	2	WEIGHT	CUSTOMER DRAWING	SCALE 10:1 SHEET 1 of 1 REV C