

4

3

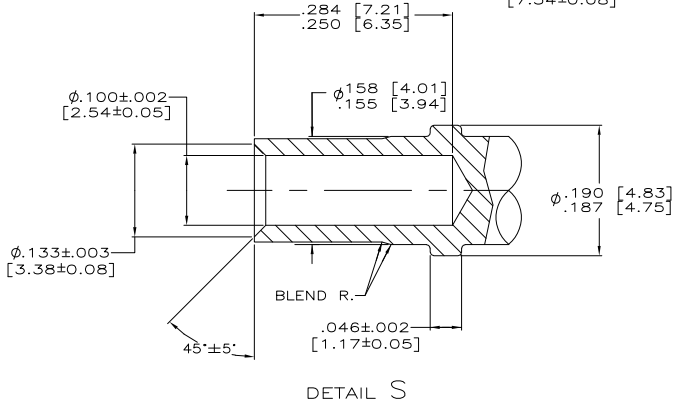
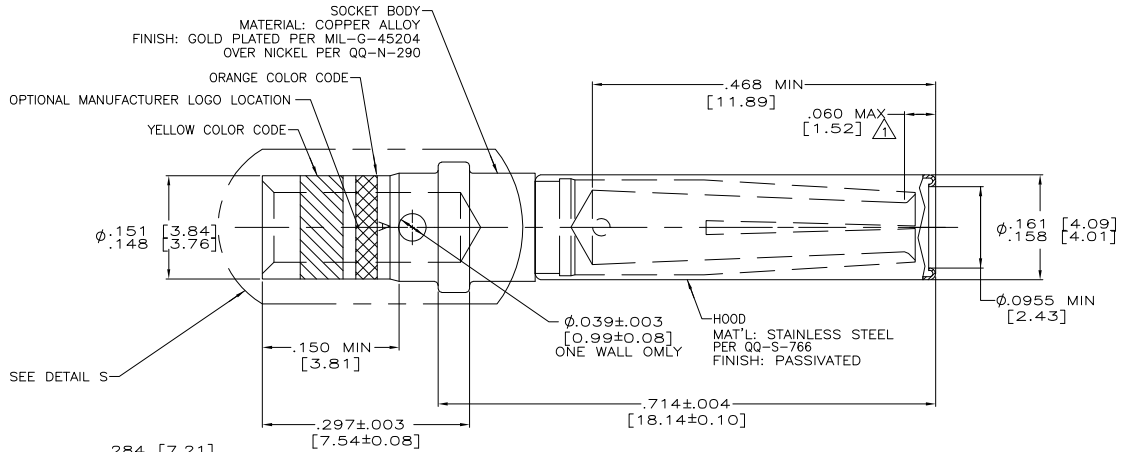
2

1

THIS DRAWING IS UNPUBLISHED. RELEASED FOR PUBLICATION
 © COPYRIGHT BY TYCO ELECTRONICS CORPORATION. ALL RIGHTS RESERVED.

LOC	DIST	REVISIONS		
P	LTR	DESCRIPTION	DATE	MIN
E		REV PER EC 0414-0154-04	24JAN06	TK CT

ELECTRICAL ENGAGEMENT POINT.



208273-2
 PART NO.

THIS DRAWING IS A CONTROLLED DOCUMENT.		DR: C.C. THOMAS 9/17/98		Tyco Electronics Corporation Harrisburg, PA 17105-3608	
DIMENSIONS: INCHES		OK: S. GLATFELTER 9-14-98		SOCKET CONTACT ASSY, SIZE 12, ARINC 600	
OTHER DIMENSIONS: MILLIMETERS		APP: S. GLATFELTER 9-14-98	RESTRICTED TO		
MATERIAL: SEE CALLOUTS		FINISH: SEE CALLOUTS	SIZE: A2	CHG CODE: 00779	DRAWING NO: C-208273
			CUSTOMER DRAWING	SCALE: 10:1	SHEET: 1 of 1 REV: E