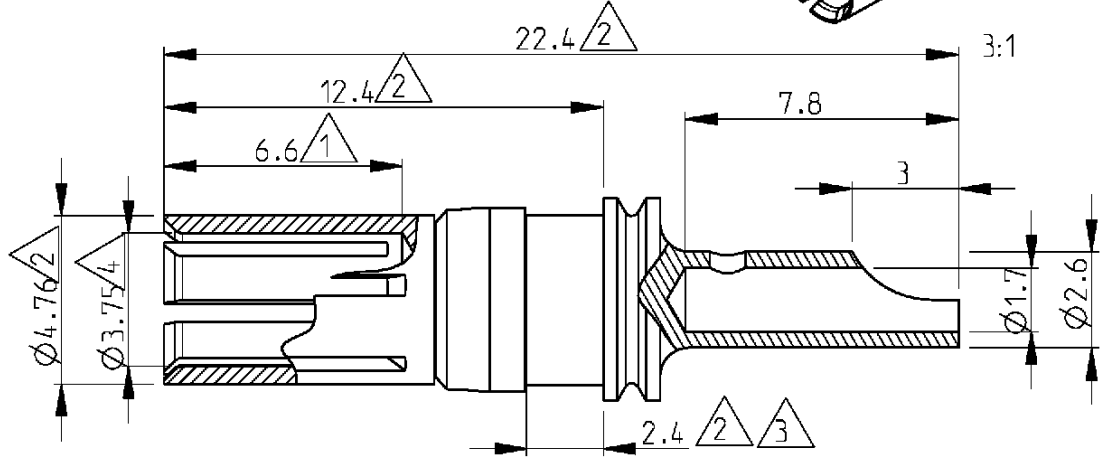
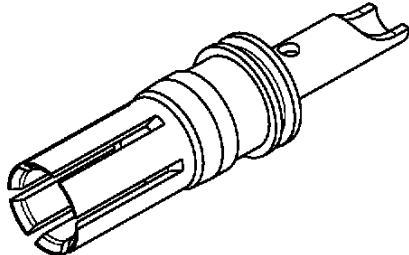


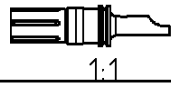
LOC	DIST	REVISIONS					
GW	-	P	LTR	DESCRIPTION	DATE	DWN	APVD
			A1	SR10-0170-01	26APR2001	BL	KM



- 5) Application : DIN 41612 type M, female connectors.
- 4 Initial dimension.
- 3 Measured with spring moved towards the mating face.
- 2 Max. dimension.
- 1 Min dimension

Cross reference table

Old part number	Tyco part number	Current	Material	Plating
C42334-A347-A104	2-1393589-1	10 A	CuBe	1 μm Au or Pd in contact area



2000
 RELEASED FOR PUBLICATION
 THIS DRAWING IS UNPUBLISHED.
 COPYRIGHT 2000 BY TYCO ELECTRONICS CORPORATION. ALL RIGHTS RESERVED.

DIMENSIONS:		DWN	19APR2001	MATERIAL		FINISH	
mm		B. Lenvain		-		-	
TOLERANCES UNLESS OTHERWISE SPECIFIED:		CHK	19APR2001	Tyco Electronics Oostkamp - Belgium			
		APVD	19APR2001				
		R. Leeman					
0 PLC	±	PRODUCT SPEC	-	NAME			
1 PLC	±	-	-	High current socket			
2 PLC	±	-	-	with wire connection			
3 PLC	±	APPLICATION SPEC	-	SIZE	CAGE CODE	DRAWING NO	RESTRICTED TO
4 PLC	±	-	-	A4	00779	C=2-1393589-1	-
ANGLES	±	WEIGHT	-	CUSTOMER DRAWING			
				SCALE	5/1	SHEET	1 OF 1
						REV	A1