

4

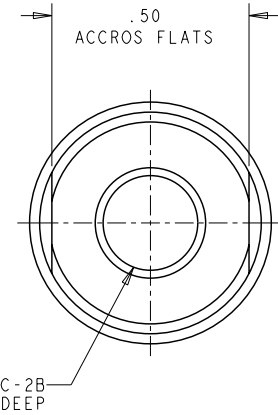
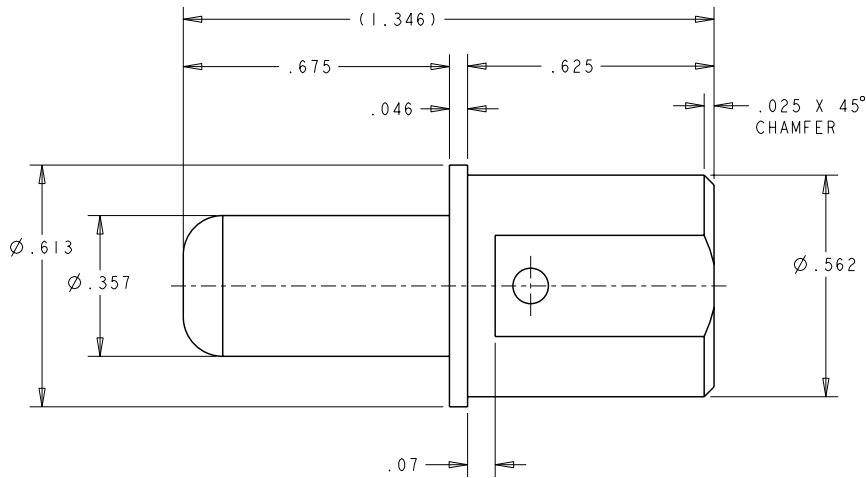
3

2

1

THIS DRAWING IS UNPUBLISHED. RELEASED FOR PUBLICATION 20  
 © COPYRIGHT 20 BY TYCO ELECTRONICS CORPORATION. ALL RIGHTS RESERVED.

LOC	DIST	REVISIONS				
P	LTR	DESCRIPTION	DATE	DWN	APVD	
GP	00	B	REV PER ECO-08-010202	07MAY2008	RG	DO



- PART NUMBER CHANGES AND OR DESIGN CHANGES AFFECTING ITEM INTERCHANGEABILITY REQUIRE PRIOR TYCO ELECTRONICS APPROVAL AND AUTHORIZATION BY REVISION.
- ITEMS PROVIDED TO THIS SPECIFICATION SHALL BE IDENTIFIED ON THE CONTAINER WITH THE FOLLOWING INFORMATION:  
PART NUMBER AND DATE CODE OF MANUFACTURING

- 3 MATERIAL: COPPER ALLOY
- 4 FINISH:  
SILVER PLATED .000200 MIN THK. OVER  
ELECTROLESS NICKEL .000050 MIN THK.

AS SHOWN	1766230-1
DESCRIPTION	PART NO.

<small>THIS DRAWING IS A CONTROLLED DOCUMENT FOR TYCO ELECTRONICS CORPORATION          IT IS SUBJECT TO CHANGE AND THE CONTROLLING ENGINEERING ORGANIZATION          SHOULD BE CONTACTED FOR THE LATEST REVISION.</small>		DWN 06/12/06 HA/GRZYBOWSKI CHK D. ORRIS APVD 06/12/06 CHAU/FLICKINGER	Tyco Electronics Harrisburg, PA 17105-3608
DIMENSIONS: INCHES 	TOLERANCES UNLESS OTHERWISE SPECIFIED: 0 PLC ±. 1 PLC ±. 2 PLC ±.02 3 PLC ±.010 4 PLC ±. ANGLES 45	NAME CONTACT, PIN, SIZE No.0 1/4-20 INTERNAL THREAD SINGLE CROWN, DRAWER	RESTRICTED TO
MATERIAL 3	FINISH 4	SIZE A3 CAGE CODE 00779 DRAWING NO. C-1766230	WEIGHT -
CUSTOMER DRAWING		SCALE 4:1	SHEET 1 OF 1 REV B