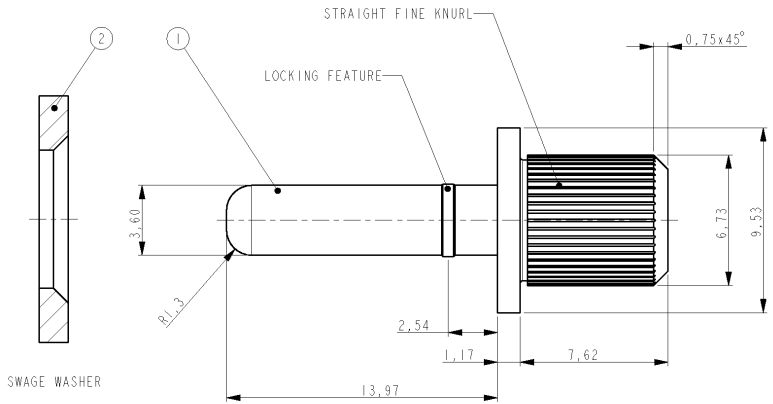
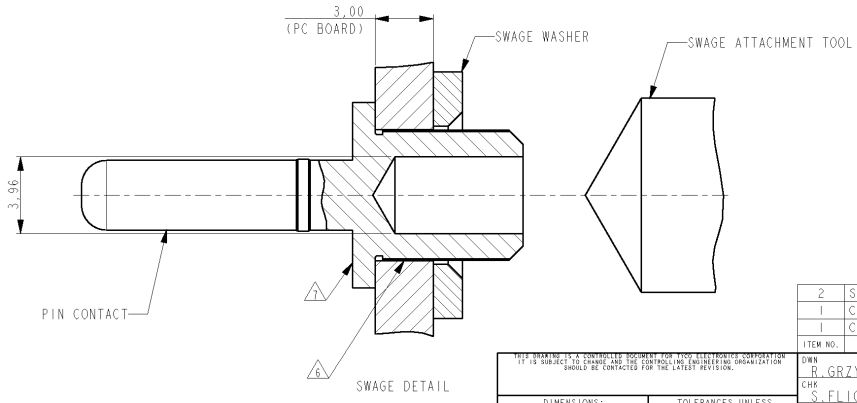


THIS DRAWING IS UNPUBLISHED. RELEASED FOR PUBLICATION  
 COPYRIGHT - BY TYCO ELECTRONICS CORPORATION. ALL RIGHTS RESERVED.

LOC	DIST	REVISIONS				
P	LTR	DESCRIPTION	DATE	DWN	APVD	
A		RELEASED	03APR06	RG	SF	
B		ECR-08-017970	21JUL2008	JvdH	RL	



- NOTES:
- PART NUMBER CHANGES AND/OR DESIGN CHANGES AFFECTING ITEM INTERCHANGEABILITY REQUIRE PRIOR TYCO ELECTRONICS APPROVAL AND AUTHORIZATION BY REVISION TO THIS DRAWING.
  - ITEMS PROVIDED TO THIS SPECIFICATION SHALL BE IDENTIFIED ON THE CONTAINER. WITH THE FOLLOWING INFORMATION: PART NUMBER&DATE CODE OF MANUFACTURE.
  - MATERIAL: - PIN CONTACT : COPPER ALLOY  
- SWAGE WASHER : STEEL.
- ⚠ FINISH: -PIN CONTACT: SILVER 5,0μ MIN THK. OVER NICKEL 1,0μ MIN. THK.
  - ⚠ FINISH: -PIN CONTACT: GOLD 0,5μ MIN THK. OVER NICKEL 1,0μ MIN. THK.
  - ⚠ RECOMMENDED HOLE DIAMETER AFTER PLATING: ø6,60 +0,07 / -0,03
  - ⚠ RETAIN PIN CONTACT WITH SUPPORT TOOL BEFORE SWAGE OPERATION.



ITEM NO.	DESCRIPTION	MATERIAL	FINISH	QUANTITY
2	SWAGE WASHER 1,5MM THICK	STEEL		1
1	CONTACT PIN SIZE #8	COPPER ALLOY		1
1	CONTACT PIN SIZE #8	COPPER ALLOY		1

OWN	01APR2008	Tyco Electronics		Tyco Electronics Corporation
CHK	R. GRZYBOWSKI			's-Hertogenbosch, Nederland
APVD	S. FLICKINGER			
NAME	PIN CONTACT, SIZE NO.8			
PRODUCT SPEC	SWAGE MOUNT			
APPLICATION SPEC	LOCKING STYLE, PRESS FIT			
SIZE	A3	CAGE CODE	DRAWING NO	RESTRICTED TO
WEIGHT	-	00779	C-6648221	-
CUSTOMER DRAWING	SCALE		SHEET	OF
	1:1		1	1

DIMENSIONS:		TOLERANCES UNLESS OTHERWISE SPECIFIED:	
mm		0 PLC	±
		1 PLC	±
		2 PLC	±
		3 PLC	±
		4 PLC	±
		ANGLES	±
MATERIAL	-	FINISH	-

AMP 1470-19 REV 31MAR2000  
 P12/ENGINEER DRAWING

6648221-1  
 6648221-2