

4

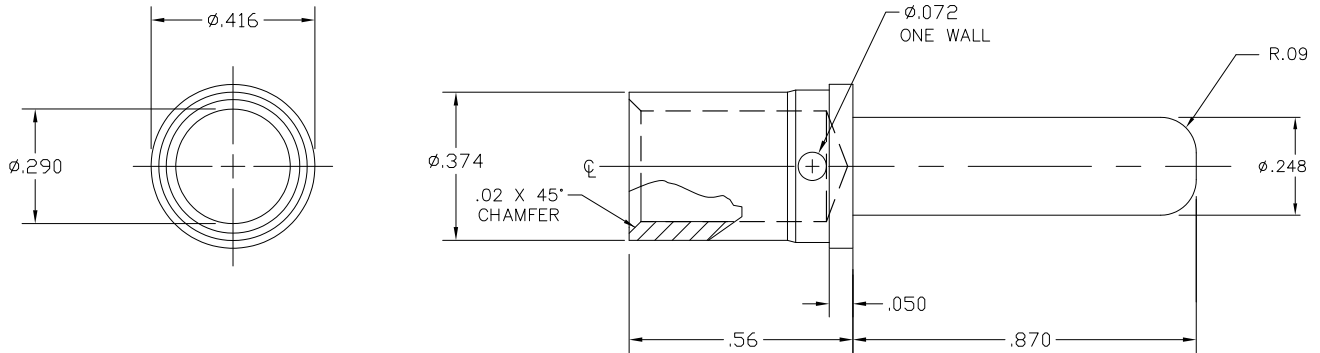
3

2

1

THIS DRAWING IS UNPUBLISHED. RELEASED FOR PUBLICATION
 © COPYRIGHT - BY TYCO ELECTRONICS CORPORATION. ALL RIGHTS RESERVED.

LOC	DIST	REVISIONS				
P	LTR	DESCRIPTION	DATE	DWN	APVD	
GP	00	A	NEW RELEASE	20APR07	RG SF	



1. PART NUMBER CHANGES AND/OR DESIGN CHANGES AFFECTING ITEM INTERCHANGEABILITY REQUIRE PRIOR TYCO APPROVAL AND AUTHORIZATION BY REVISION TO THIS DRAWING.

2. ITEMS PROVIDED TO THIS SPECIFICATION TO BE PERMANENTLY IDENTIFIED ON THE CONTAINER WITH THE FOLLOWING IDENTIFIER:
 YEAR | WEEK

TYCO PART NUMBER: XXXXXXX-X
 DATE CODE (e.g. 0212): XXXX

3 MATERIAL: COPPER ALLOY

4 FINISH:
 SILVER PLATE .000200 MIN. THK. OVER
 NICKEL PLATE .000040 MIN THK.

AS SHOWN	1766253-1
DESCRIPTION	PART NUMBER

THIS DRAWING IS A CONTROLLED DOCUMENT.		DWN	30APR2007	Tyco Electronics		Tyco Electronics Corporation Harrisburg, PA 17105-3608																			
DIMENSIONS: INCHES		CHK	30APR07	NAME		CONTACT, PIN, 1/4 DIA. WITH No. 4 AWG CRIMP BARREL DRAWERS																			
<table border="1"> <tr><td>0</td><td>PLC</td><td>± -</td></tr> <tr><td>1</td><td>PLC</td><td>± -</td></tr> <tr><td>2</td><td>PLC</td><td>± .02</td></tr> <tr><td>3</td><td>PLC</td><td>± .010</td></tr> <tr><td>4</td><td>PLC</td><td>± -</td></tr> <tr><td>ANGLES</td><td></td><td>± -</td></tr> </table>		0	PLC	± -	1	PLC	± -	2	PLC	± .02	3	PLC	± .010	4	PLC	± -	ANGLES		± -	APVD		PRODUCT SPEC		RESTRICTED TO	
0	PLC	± -																							
1	PLC	± -																							
2	PLC	± .02																							
3	PLC	± .010																							
4	PLC	± -																							
ANGLES		± -																							
MATERIAL		FINISH		SIZE	CAGE CODE	DRAWING NO																			
3		4		A3	00779	1766253																			
CUSTOMER DRAWING				SCALE	4:1	SHEET	1 of 1																		
				REV	A																				

ELCON CIRCULAR CONTACTS

AMP 1470-19 REV 31MAR2000