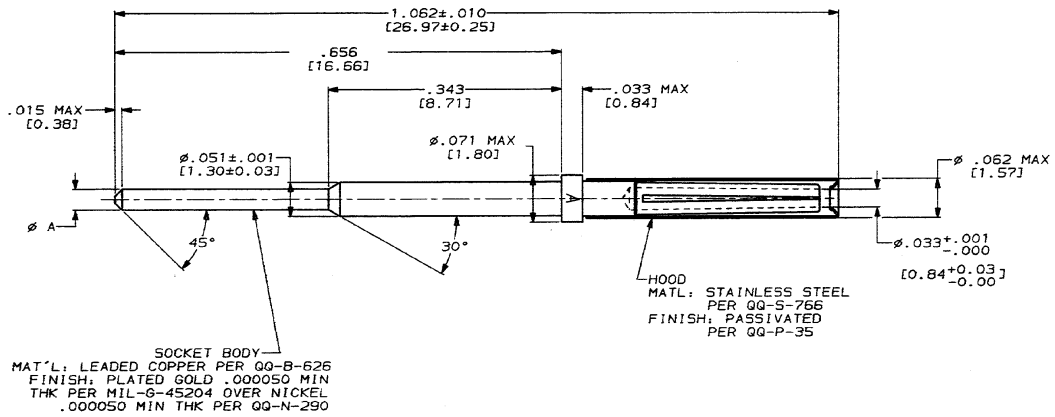


DRAWING MADE IN THIRD ANGLE PROJECTION

THIS DRAWING IS UNPUBLISHED. RELEASED FOR PUBLICATION .19
 © COPYRIGHT 19 BY AMP INCORPORATED. ALL INTERNATIONAL RIGHTS RESERVED.

REV	LOC	BY	DATE	DESCRIPTION	DATE	APPD
1	4971	DF	AO	REV & REDRAWN PER DF-4578	CT 7-91	AS



.023 ± .001 [0.58 ± 0.03]	205544-2
.031 ± .001 [0.79 ± 0.03]	205544-1
A DIM	PART NO.

DO NOT SCALE PRINT. DIMENSIONS IN INCHES [mm] TOLERANCES ON: 2 PLC DEC ± .005 (0.13) ANGLES ± 2°	DR 5-7-91 C.C. THOMAS	AMP Incorporated Harrisburg, PA 17105-3808
SEE CALLOUTS	CHK 7-23-91 A. SHARPE	
FINISH	APPD 7-23-91 A. SHARPE	NAME
SEE CALLOUTS	APPD 7-23-91 C. THOMAS	ASSY, SOCKET CONTACT, SIZE 22 ARINC 404 (SPECIAL)
	PRODUCT SPEC	SIZE
	APPLICATION SPEC	CAGE CODE
	WEIGHT	00779
		DRAWING NO
		205544
		SCALE
		10:1
		SHEET
		1 OF 1

CUSTOMER DRAWING

205544

AMP 1471-6 REV 3-89