

4

3

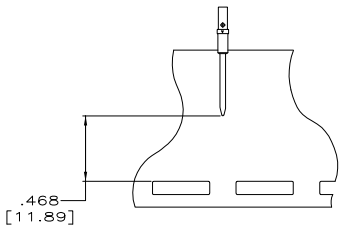
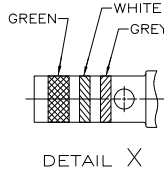
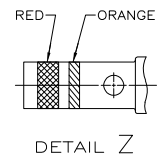
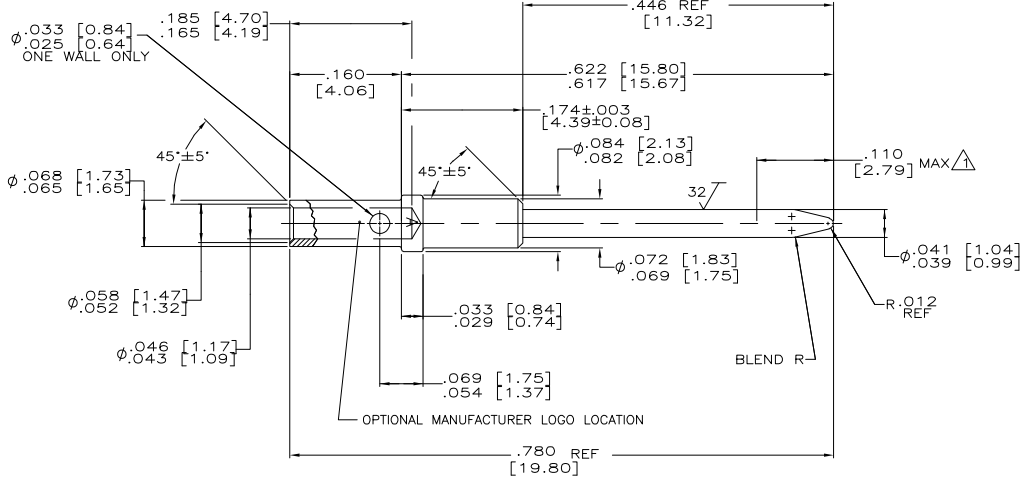
2

1

THIS DRAWING IS UNPUBLISHED. RELEASED FOR PUBLICATION
 BY TYCO ELECTRONICS CORPORATION. ALL RIGHTS RESERVED.

LOC	DIST	REVISIONS					
DF	AO	P	LTR	DESCRIPTION	DATE	MIN	APD
		H		REV PER EC 0414-0154-04	23JAN06	TK	CT

- ▲ ELECTRICAL ENGAGEMENT POINT
- ▲ AS SHOWN
- ▲ SAME AS -2 EXCEPT:
COLOR CODE PER DETAIL Z
- ▲ SAME AS -2 EXCEPT:
COLOR CODE PER DETAIL X



TAPE MT'D ASS'Y
 (-3 ONLY)
 SCALE 2:1

OBSOLETE	▲4	208265-5
	▲3	208265-4
	▲2	208265-3
	▲1	208265-2
DESCRIPTION	PART NUMBER	

THIS DRAWING IS A CONTROLLED DOCUMENT.		DATE: 02-11-99	Tyco Electronics Corporation Harrisburg, PA 17105-3608	
DRAWN BY: J.A. Baker		CHKD BY: S. GLAYFELTER	NAME: S. GLAYFELTER	
DIMENSIONS: INCHES		PRODUCT SPEC: APPLICATION SPEC	SIZE: A2	CAGE CODE: 00779
MATERIAL: LEADED COPPER		FINISH: GOLD PER MIL-C-45204 ONE MICRON PER SIDE PER MIL-STD-200	HEIGHT: -	SCALE: 10:1
CUSTOMER DRAWING		RESTRICTED TO: -	SHEET: 1 of 1	

208265

A

D

C

B

A

H

H