

4

3

2

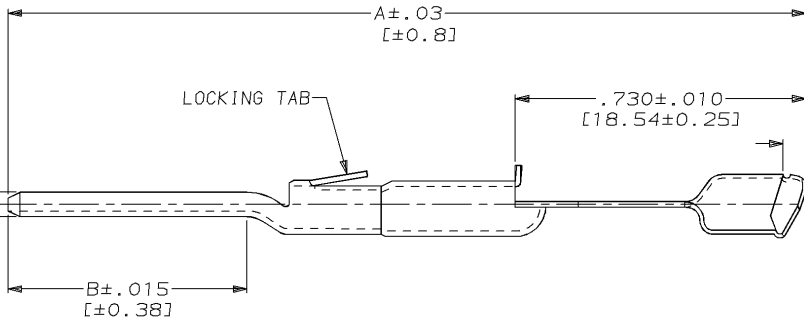
1

THIS DRAWING IS UNPUBLISHED. RELEASED FOR PUBLICATION
 © COPYRIGHT 19 BY AMP INCORPORATED. ALL RIGHTS RESERVED.

PROD CODE	LOC	DIST	REVISIONS				
P	LTR	DESCRIPTION	DATE	DWN	APVD		
4595	DF	PO	C	REV & REDRAWN; 0600-1587-94 CT	6-94	CCT	JN

.031
[0.79]

.062
[1.57]



- ① GOLD IN CRITICAL AREA ONLY, NICKEL ON ALL OF CONTACT.
- ② GOLD IN CRITICAL AREA ONLY, NICKEL ON ALL OF CONTACT WITH LOCKING TAB DEPRESSED.
- ③ GOLD IN CRITICAL AREA ONLY, NICKEL ON ALL OF CONTACT WITH LOCKING TAB DEPRESSED.

.670 [17.02]	2.12 [53.85]	③	1-424155-6
.570 [14.48]	2.02 [51.31]	②	1-424155-2
.570 [14.48]	2.02 [51.31]	①	424155-8
DIM B	DIM A	FINISH	PART NO.

THIS DRAWING IS A CONTROLLED DOCUMENT FOR AMP INCORPORATED. IT IS SUBJECT TO CHANGE AND THE CONTROLLING ENGINEERING ORGANIZATION SHOULD BE CONTACTED FOR THE LATEST REVISION.		CHK	C. C. THOMAS	6-6-94	AMP Incorporated Harrisburg, PA 17105-3608
DIMENSIONS:		APVD	J. NORTON	6-7-94	
INCHES (mm)		PRODUCT SPEC	J. NORTON	6-7-94	
		APPLICATION SPEC			
TOLERANCES UNLESS OTHERWISE SPECIFIED:		NAME	SPRING CONTACT, .031x.062, MODU POST, RIGHT HAND		
0 PLC ± -		SIZE	A3	CASE CODE	00779
1 PLC ± -		DRAWING NO	C-424155		
2 PLC ± -		WEIGHT	SCALE 4:1 SHEET 1 OF 1 REV C		
3 PLC ± .005 [0.13]		CUSTOMER DRAWING			
4 PLC ± -					
ANGLES FINISH					
SEE TABLE					

AMP1470-19 REV 10/93

06 JUN 1994 12:49:55 AMP16412UY128B>U.CORE.PROD>U.SYSTEMS