

**Specification Status: Released**

**Electrical Rating**

**Voltage: 60V MAX**  
**Current: 40A MAX**

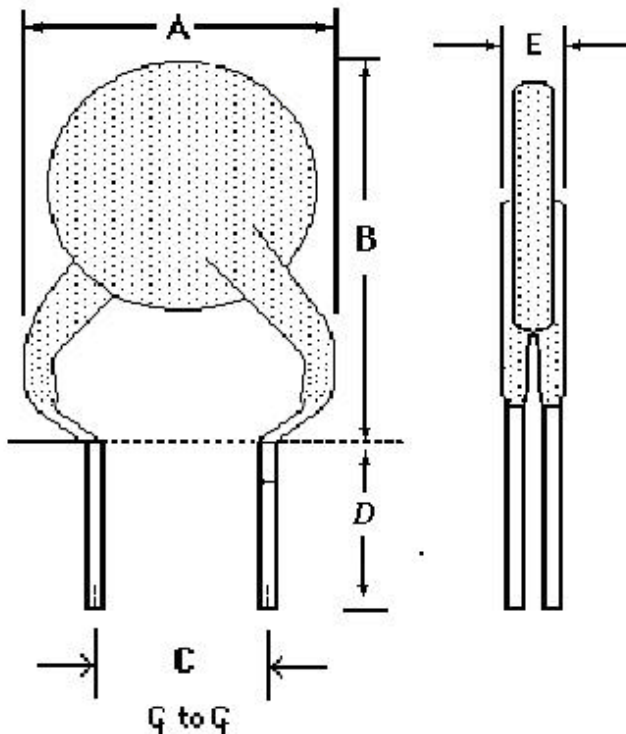
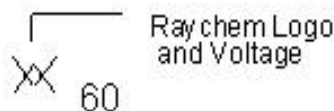
**Insulating Material:**

Cured, Flame Retarded Epoxy Polymer  
 meets UL94 V-0 Requirements

**Lead Material:**

26 AWG Tin Lead Plated Nickel-Copper Alloy

**Marking:**



**TABLE I. DIMENSIONS:**

	A		B		C		D		E	
	MIN	MAX	MIN	MAX	MIN	MAX	MIN	MAX	MIN	MAX
mm:	--	8.0	--	8.3	4.3	5.8	7.6	--	--	2.8
in*:	--	(0.315)	--	(0.325)	(0.17)	(0.23)	(0.30)	--	--	(0.110)

\*Rounded off approximation

**TABLE II. PERFORMANCE RATINGS:**

I <sub>H</sub> RATED CURRENT	CURRENT RATINGS						TIME TO TRIP	INITIAL RESISTANCE VALUES		ONE-HOUR POST-TRIP RESISTANCE STANDARD TRIP	NOMINAL TRIPPED-STATE POWER DISSIPATION
	AMPERES 20°C HOLD	AMPERES AT 0°C HOLD	AMPERES AT 20°C TRIP	AMPERES AT 60°C HOLD	AMPERES AT 60°C TRIP	AMPERES AT 60°C TRIP		SECONDS AT 20°C, 0.5A MAX	OHMS AT 20°C MIN		
0.05	0.06	0.12	0.05	0.10	0.03	0.07	5.0	7.3	11.1	20.0	0.22

**Recognitions:**

UL, CSA, TUV recognized.

**Reference Documents:**

PS300

**Precedence:**

This specification takes precedence over documents referenced herein.

**Effectivity:**

Reference documents shall be the issue in effect on the date of invitation for bid.

**CAUTION:**

Operation beyond the rated voltage or current may result in rupture, electrical arcing or flame.