

**Specification Status: Released**

**Maximum Electrical Rating**

**Voltage: 24V<sub>DC</sub>**  
**Short Circuit Current: 40A**

**Notes:**

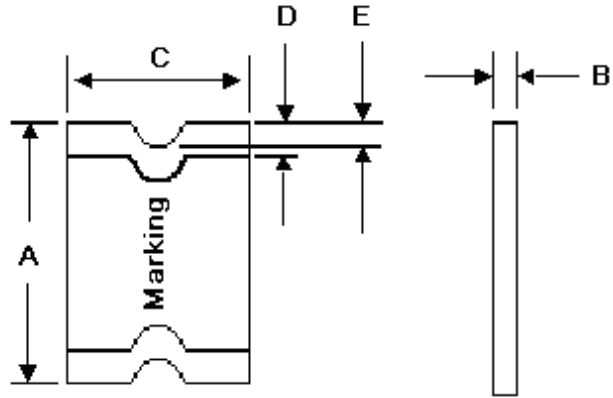
1. All terminations are tin plated.
2. Drawing not to scale

**Marking:**

⊗ 075F  
24V

PART IDENTIFICATION

MANUFACTURER'S MARK



**TABLE I. DIMENSIONS:**

		A		B		C		D		E
		MIN	MAX	MIN	MAX	MIN	MAX	MIN	MAX	MIN
mm:		4.37	4.83	0.81	1.46	3.07	3.41	0.25	0.95	0.20
in:		(0.172)	(0.190)	(0.032)	(0.057)	(0.121)	(0.134)	(0.010)	(0.040)	(0.008)

**TABLE II. PERFORMANCE RATINGS:**

CURRENT RATINGS **						TIME TO TRIP **	RESISTANCE VALUES	TRIPPED-STATE POWER DISSIPATION**	
AMPERES AT 0°C		AMPERES AT 20°C		AMPERES AT 60°C		SECONDS AT 20°C, 8A MAX	OHMS AT 20°C	WATTS AT 20°C, 24V MAX	
HOLD	TRIP	HOLD	TRIP	HOLD	TRIP		MIN	MAX*	
1.00	2.00	0.75	1.50	0.55	1.10	0.3	0.09	0.29	0.8

\* Maximum resistance is measured 1 hour after reflow.

\*\* Values Specified were determined using PCB's with 0.030"X1.5 ounce copper traces.

Agency Recognitions: UL, CSA, TÜV

Reference Documents: PS300

Precedence: This specification takes precedence over documents referenced herein.

Effectivity: Reference documents shall be the issue in effect on the date of invitation for bid.

CAUTION: Operation beyond the rated voltage or current may result in rupture, electrical arcing or flame.

**Materials Information**

**ROHS Compliant**

Directive 2002/95/EC  
Compliant

**ELV Compliant**

Directive 2000/53/EC  
Compliant

**Pb-Free**



**Halogen Free\***



\* Halogen Free refers to: Br≤900ppm, Cl≤900ppm, Br+Cl≤1500ppm

© 2006, 2009 Tyco Electronics Corporation. All rights reserved.