

**Gas Discharge Tube
Miniature Two Electrode Series
Overvoltage Protection Device**

Raychem Circuit Protection Products

Specification Status: Released

GENERAL DESCRIPTION

BENEFITS

- Helps provide overvoltage fault protection against high energy surges
- Suitable for sensitive equipment due to excellent impulse sparkover response
- Suitable for high-frequency applications
- Highly reliable performance

FEATURES

- Crowbar device with low arc-voltage
- Low capacitance and insertion loss
- High accuracy spark-over voltages for high precision designs
- Tested per ITU K.12 recommendations
- Non-radioactive materials

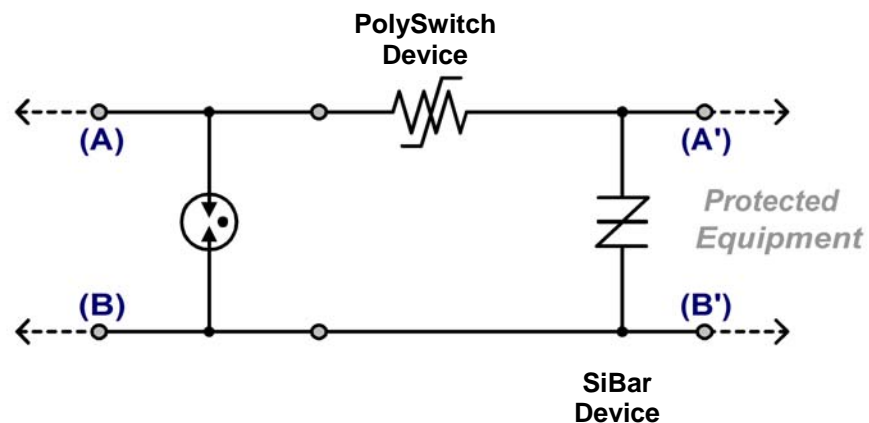
APPLICATIONS

- Telecommunications:
 - MDF modules, xDSL equipment, RF system protection
- Industrial Electronics and Commercial Electronics, such as
 - Power Supplies, Surge Protectors, Alarm systems

SYMBOL

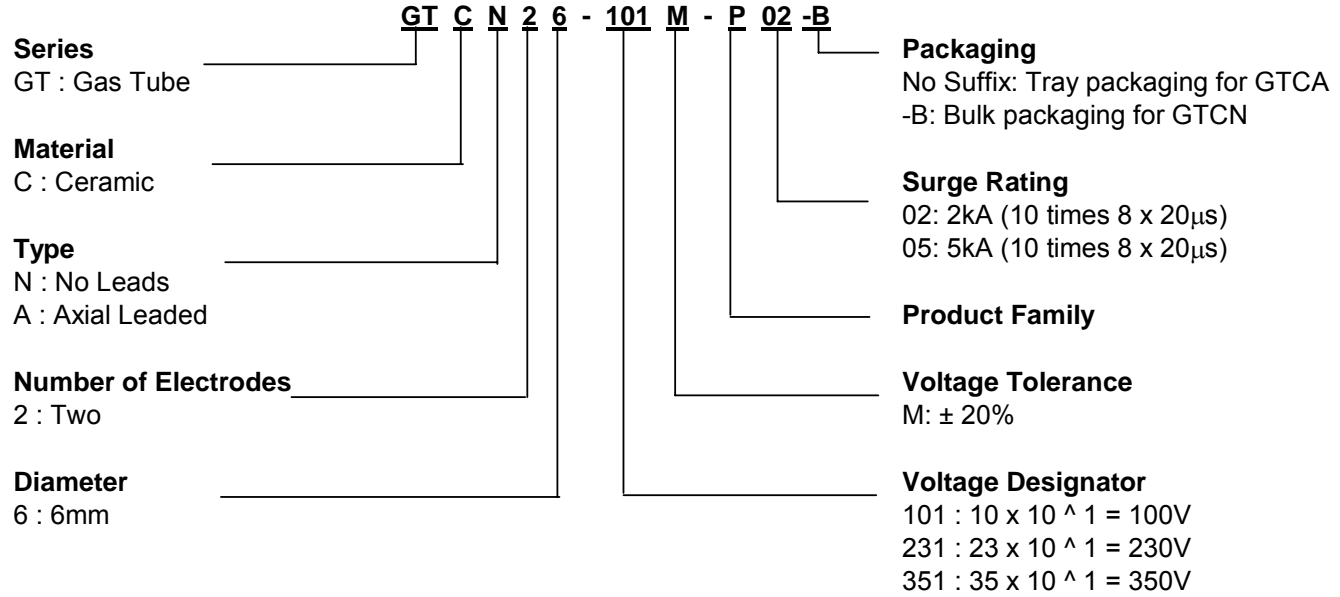


TYPICAL APPLICATION SCHEMATIC



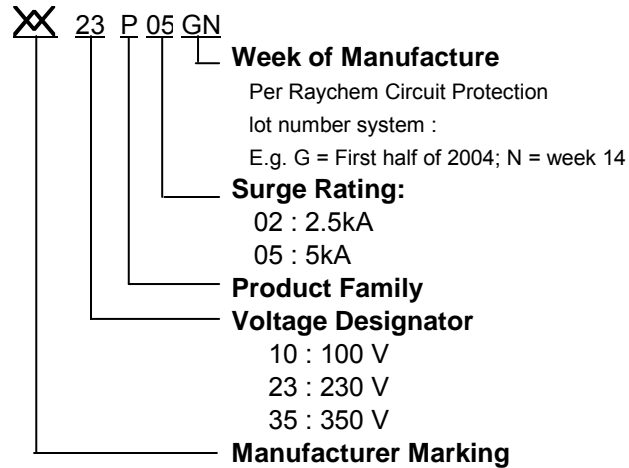
PART NUMBERING

EXAMPLE:



DEVICE MARKING

EXAMPLE : GTCA26-231M-P05



Gas Discharge Tube Miniature Two Electrode Series Overvoltage Protection Device

Raychem Circuit Protection Products

PRODUCT: GTCx26

DOCUMENT: SCD 25817
REV LETTER: E
REV DATE: JULY 8, 2008
PAGE NO.: 3 OF 5

GENERAL CHARACTERISTICS

No Radioactive Material

Storage temperature: -40°C ... +90°C

Operating temperature: -40°C ... + 90°C

Body: Nickel Plated

Leads: Tin Plated



MATERIALS INFORMATION

RoHS Compliant

ELV Compliant

Directive 2002/95/EC
Compliant

Directive 2000/53/EC
Compliant

DEVICE RATINGS AND CHARACTERISTICS

Part Number	DC Sparkover Voltage	Impulse Sparkover Voltage		Insulation Resistance	Capacitance	DC Holdover Voltage	Impulse Life	Impulse Discharge Current 8/20 μ s		AC Discharge Current, 50 Hz	
	@ 100V/s	@ 100V / μ s	@ 1kV / μ s	@ 100V	@ 1MHz	Per ITUK.12	10/1000 μ s, 50A	Single Hit	Repeat 10 times (5 times - each polarity)	Single Hit, 9 Cycles	Repeat 10 times (1s interval)
GTCN26-101M-P02 GTCA26-101M-P02	100V \pm 20%	\leq 500V	\leq 700V	\geq 10,000M Ω ¹	\leq 1.0pF	\leq 52V	300 times	3kA	2.5kA	--	2.5A
GTCN26-231M-P05 GTCA26-231M-P05	230V \pm 20%	\leq 500V	\leq 700V	\geq 10,000M Ω	\leq 1.0pF	\leq 135V	300 times	10kA	5kA	20A	5A
GTCN26-351M-P05 GTCA26-351M-P05	350V \pm 20%	\leq 600V	\leq 800V	\geq 10,000M Ω	\leq 1.0pF	\leq 135V	300 times	10kA	5kA	20A	5A

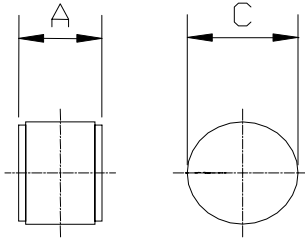
Note 1. Insulation Resistance at 50 V_{DC}.

Gas Discharge Tube Miniature Two Electrode Series Overvoltage Protection Device

Raychem Circuit Protection Products

DIMENSIONS

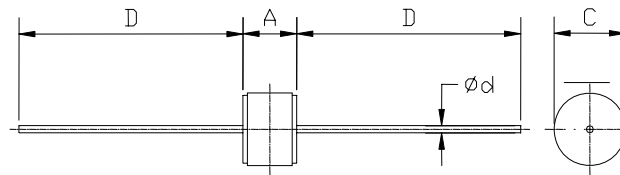
No Leads (GTCN26):



		A		C	
		MIN	MAX	MIN	MAX
mm:		4.0	4.3	5.8	6.2
in*:		0.16	0.17	0.23	0.24

*Rounded off approximation

Axial Leads (GTCA26):



		A		C		D		Ød
		MIN	MAX	MIN	MAX	MIN	MAX	NOM
mm:		4.0	4.3	5.8	6.2	23.0	27.0	0.8
in*:		0.16	0.17	0.23	0.24	0.90	1.06	0.03

* Rounded off approximation

Gas Discharge Tube
Miniature Two Electrode Series
Overvoltage Protection Device
Raychem Circuit Protection Products

PRODUCT: GTCx26

DOCUMENT: SCD 25817
REV LETTER: E
REV DATE: JULY 8, 2008
PAGE NO.: 5 OF 5**PACKAGING**

Packaging	Bulk* (vacuum bags)	Tray**	Standard Box
GTCN26	200	--	1,000***
GTCA26	--	100	1,000****

* Bulk packaging only for GTCN26
**Tray packaging only for GTCA26
*** 5 bags
**** 10 trays

Information furnished is believed to be accurate and reliable. However, users should independently evaluate the suitability of each product for their applications. Tyco Electronics Corporation assumes no responsibility for the use of its product or for any infringement of patents or other rights of third parties resulting from the use of its product. No license is granted by implication or otherwise under any patent or proprietary right of Tyco Electronics except the right to use such product for the purpose for which it is sold. Tyco Electronics reserves the right to change or update, without notice, any information contained in this publication; to change, without notice, the design, construction, processing, or specification of any product; and to discontinue or limit production or distribution of any product. This publication supersedes and replaces all information previously supplied. Without expressed or written consent by an officer of Tyco Electronics, Tyco Electronics does not authorize the use of any of its products as components in nuclear facility applications, aerospace, or in critical life support devices or systems. Tyco Electronics' only obligations are those in the Tyco Electronics Standard Terms and Conditions of Sale and in no case will Tyco Electronics be liable for any incidental, indirect, or consequential damages arising from the sale, resale, use, or misuse of its products.