



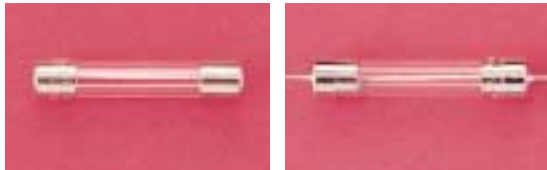
defining a degree of excellence

# Type 3SB / 3SBP

## Slow Blow Fuse Series

1/4 x 1 1/4 inch Glass Tube

3SBD0903



### Electrical Characteristics (ULICSA STD. 248-14)

Testing current	Blow Time	
	Minimum	Maximum
100%	4 Hrs.	N/A
135%	N/A	1 Hr
200%	5 sec	30 sec

### Approvals



Safety Agency Approvals	Type	Amp range / Volt @ I.R. ability
Listed File No. E20624 Certified File No. LR39772	3SB / 3SBP	63mA - 1A / 250V AC@ 35A >1A - 3.5A / 250V AC@ 100A >3.5A - 8A / 250V AC@ 200A 63mA - 15A / 125V AC@ 10,000A
File No. JET1037-31003-1001 JET1037-31003-1003 File No. JET1037-31003-1002	3SB / 3SBP	1A - 5A / 125V AC@ 500A
	3SB	>5A - 15A / 125V AC@ 300A

### Operating Temperature

-55°C to +125°C

### Physical Specification

#### Materials

Glass body / Nickel Plated Brass Caps

Lead wire:

Tin-lead plated Copper,

Diameter 0.032", 5A and less

Diameter 0.040", 6A and above

#### Marking

On fuse:

"bel", "3SB", "Current Rating", "Voltage Rating", and "Appropriate Safety Logos"

On label:

Above info plus "CE" and interrupting rating

Voltage on fuse:

250V for 63mA to 8A; 125V for 10A and above

#### Packaging

1. In bulk:

3SB - 1,000 pcs per box; 3SBP - 500 pcs per box

2. On Axial Tape & Reel:

1,000 pcs per reel

3. Tape & Reel specification:

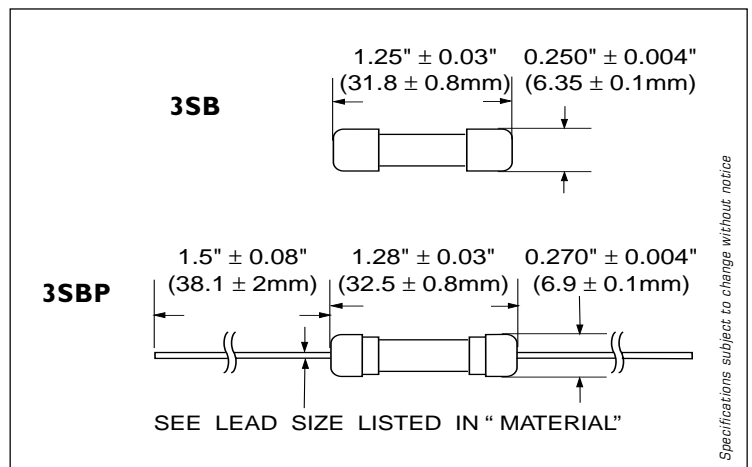
per EIA-296-E & IEC 286-1

@ 10mm Pitch and 73mm inside Tape Spacing

Catalog Number	Ampere Rating	Typical Cold Resistance (ohm)	Volt-drop @100% In (Volt) max.	Melting I <sup>2</sup> T < 10 mSec (A <sup>2</sup> Sec)	Melting I <sup>2</sup> T @10 In (A <sup>2</sup> Sec)	Maximum Power Dissipation (W)
3SB (P) 63	63mA	77.3	6.9	0.09	0.10	0.71
3SB (P) 80	80mA	52.0	5.7	0.13	0.15	0.74
3SB (P) 100	100mA	22.0	3.3	0.21	0.24	0.54
3SB (P) 125	125mA	15.9	2.7	0.32	0.37	0.56
3SB (P) 160	160mA	11.5	2.3	0.50	0.58	0.59
3SB (P) 200	200mA	8.3	1.9	0.77	0.91	0.61
3SB (P) 250	250mA	5.6	1.6	1.20	1.42	0.64
3SB (P) 300	300mA	3.8	1.3	1.85	2.22	0.68
3SB (P) 375	375mA	2.8	1.1	2.6	3.2	0.71
3SB (P) 500	500mA	1.7	0.9	4.4	5.4	0.75
3SB (P) 750	750mA	0.84	0.7	9.7	12.1	0.83
3SB (P) 1	1A	0.52	0.5	16.4	20.6	0.88
3SB (P) 1.25	1.25A	0.35	0.5	25.4	32.3	0.9
3SB (P) 1.6	1.6A	0.23	0.38	39.3	50.4	1.0
3SB (P) 2	2A	0.16	0.32	61	79	1.0
3SB (P) 2.5	2.5A	0.11	0.27	94	123	1.1
3SB (P) 3	3A	0.07	0.22	146	192	1.1
3SB (P) 4	4A	0.05	0.19	226	300	1.2
3SB (P) 5	5A	0.03	0.16	349	469	1.3
3SB (P) 6	6A	0.019	0.16	286	455	1.6
3SB (P) 7	7A	0.016	0.16	372	592	1.8
3SB (P) 8	8A	0.014	0.15	483	769	1.9
3SB (P) 10	10A	0.010	0.14	817	1300	2.3
3SB (P) 12	12A	0.008	0.13	1277	2031	2.6
3SB (P) 15	15A	0.006	0.12	2123	3377	3.0

Consult manufacturer for other ratings

### Mechanical Dimensions



Specifications subject to change without notice

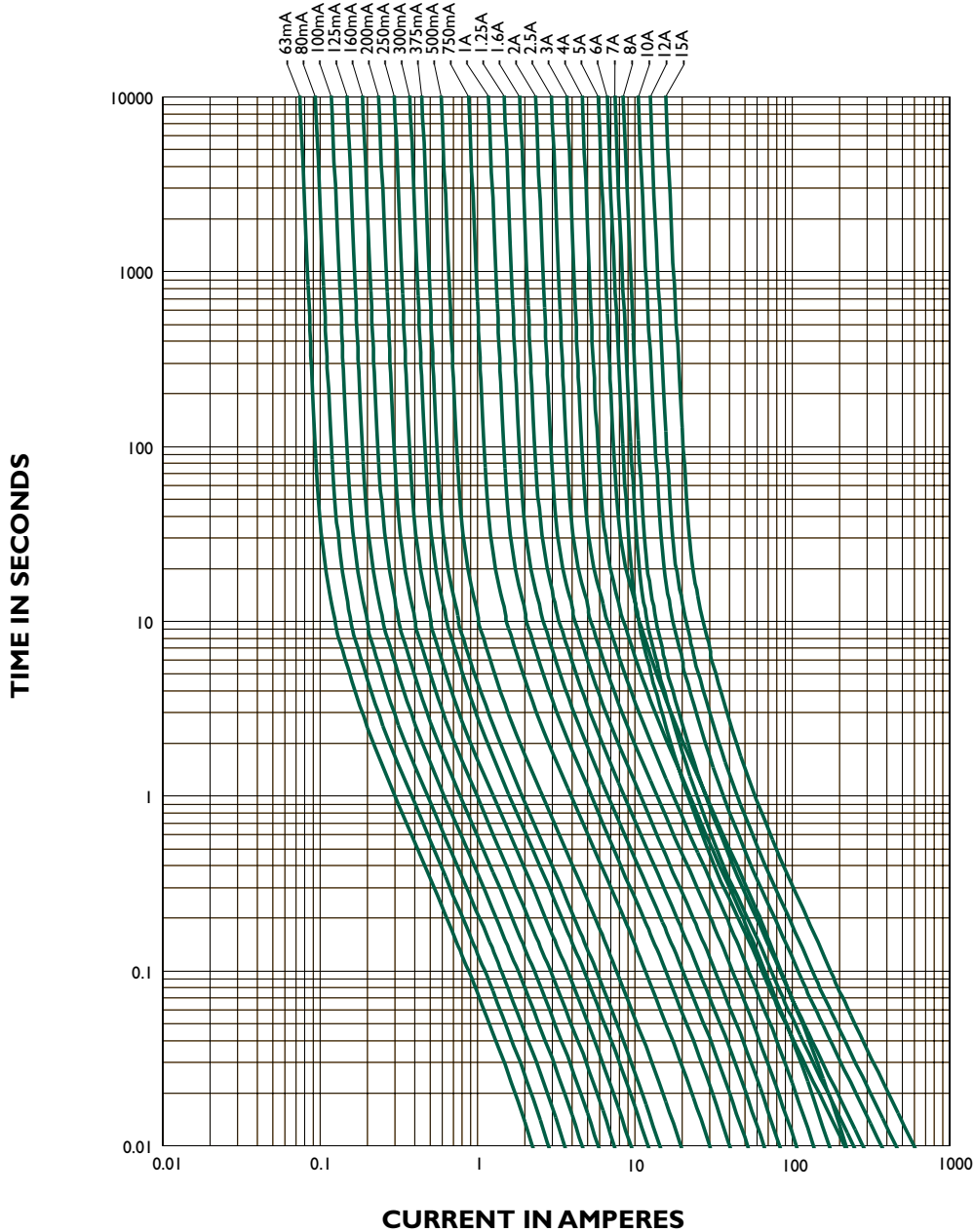
ORDERING INFORMATION SEE PAGES 67 & 68

**Type 3SB / 3SBP**  
**Slow Blow Fuse Series**

1/4 x 1 1/4 inch Glass Tube

3SBC0801

**3SB / 3SBP - TIME CURRENT CHARACTERISTIC CURVE**



Specifications subject to change without notice

NOTE - see important information under "User Guide" on P.08

**Corporate Office**  
**Bel Fuse Inc.**  
 206 Van Vorst Street, Jersey City, NJ 07302  
 Tel: 201-432-0463  
 Fax: 201-432-9542  
 E-Mail: [belfuse@belfuse.com](mailto:belfuse@belfuse.com)  
 Website: [www.belfuse.com](http://www.belfuse.com)

**Far East Office**  
**Bel Fuse Ltd.**  
 8F/8 Luk Hop Street  
 San Po Kong  
 Kowloon, Hong Kong  
 Tel: 852-2328-5515  
 Fax: 852-2352-3706

**European Office**  
**Bel Fuse Europe Ltd.**  
 Preston Technology Management Centre  
 Marsh Lane, Preston PR1 8UD  
 Lancashire, U.K  
 Tel: 44-1772-556601  
 Fax: 44-1772-888366