

Axial Lead and Cartridge Fuses

Subminiature

LT-5™ Time Lag Fuse 665 Series



ELECTRICAL CHARACTERISTICS:

% of Ampere Rating	Time
100%	4 hours Min
200%	60 sec Max

AGENCY APPROVALS: Listed by Underwriters Laboratories from 50mA to 10A. CSA Certified from 50mA to 6.3A.

INTERRUPTING RATINGS: 50A at 250VAC

ENVIRONMENTAL SPECIFICATIONS:

Operating Temperature: -40°C to +85°C.

Case Resistance: Min 100 Mohms, according to EIA/IS-722, 4.7

Vibration: 20gn, 20 min, 10Hz to 2,000Hz, 12 cycles according to EIA/IS-722, 4.10 (Frequency range 10-2000Hz, cross-over frequency 60 Hz according to IEC 60068-2-6, test Fc)

Mechanical Shock: 50g, half sine wave, 11ms, 3 times each direction according to IEC 60068-2-27.

Resistance to Cleaning Solvents: Clean according to EIA/IS-722, 4.11

Resistance to Soldering Heat: 10 sec. At 260°C to IEC 60068-2-20, test Tb

Terminal Strength: Tensile load min. 9N, according to EIA/IS-722, 4.5.5

PHYSICAL SPECIFICATIONS:

Materials: Temperature Resistant Body, UL 94V-0; Sn Coated Copper Wire Terminals.

Solderability: IEC 60068-2-20, test Ta

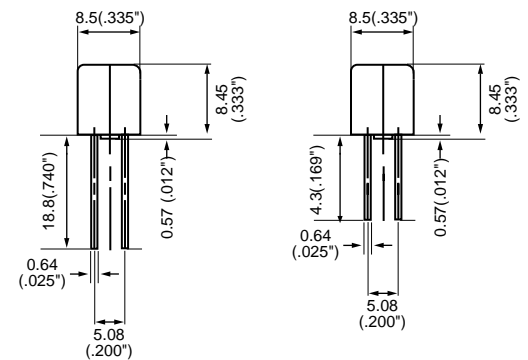
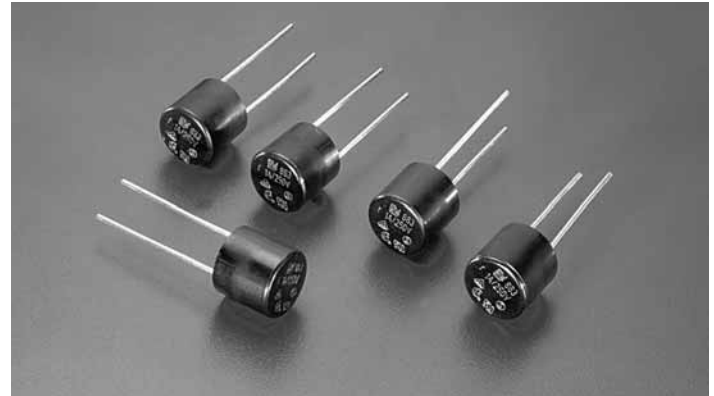
Soldering Parameters: Wave Solder – 235°C, 2 seconds maximum.

PACKAGING:

Please refer to the following suffixes when ordering:

- 100 Piece Bulk: Short Leads use suffix HXSL; Long Leads use suffix HXLL
- 750 Piece Tape and Reel per IEC 286-2: (Long Leads only) use suffix ZRLL
- 1000 Piece Ammo Pack use suffix MALL

PATENTED



ORDERING INFORMATION:

Catalog Number	Ampere Rating	Voltage Rating	Nominal Resistance Cold mOhms	I ² t at 10 x I _n (A ² Sec)
0665.063	.063	250	7548	0.0176
0665.080	.080	250	4427	0.0313
0665.100	.100	250	2715	0.0456
0665.125	.125	250	2038	0.0567
0665.160	.160	250	1238	0.0692
0665.200	.200	250	1091	0.133
0665.250	.250	250	696	0.258
0665.315	.315	250	465	0.361
0665.400	.400	250	334	0.528
0665.500	.500	250	243	0.898
0665.630	.630	250	170	2.24
0665.800	.800	250	121	4.05
0665 001.	1.00	250	86	6.85
0665 1.25	1.25	250	66	7.93
066501.6	1.60	250	46	17.5
0665 002.	2.00	250	34	28.6
0665 02.5	2.50	250	26	40.9
0665 3.15	3.15	250	20	55.0
0665 004.	4.00	250	15	67.2
0665 005.	5.00	250	12	142
066506.3	6.30	250	9	287
0665 008.	8.00	250	5	422
0665 010.	10.0	250	4	564

Axial Lead and Cartridge Fuses

Subminiature

LT-5™ Time Lag Fuse 665 Series

