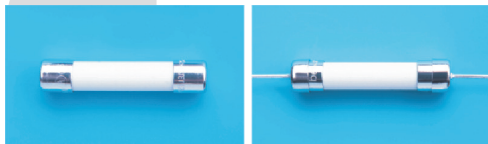


3ABD0808



Electrical Characteristics (ULICSA STD. 248-14)

| Testing Current | Blow Time | | Amp Range |
|-----------------|-----------|---------|------------|
| | Minimum | Maximum | |
| 100% | 4 Hrs. | N/A | 0.1A - 20A |
| 135% | N/A | 1 Hr | 0.1A - 10A |
| 200% | N/A | 5 sec | 0.1A - 10A |
| | N/A | 120 sec | 12A - 20A |

Approvals



| Safety Agency Approvals | Type | Amp range / Volt @ I.R. ability |
|--|------------|---|
| UL _{US} Listed File No. E20624 | 3AB / 3ABP | 100mA - 1A / 250V AC@ 35A >1A - 3.5A / 250V AC@ 100A >3.5A - 10A / 250V AC@ 200A |
| SP Certified File No. LR39772 | | 100mA - 10A / 125V AC@ 10,000A |
| UL _{US} Listed File No. E20624 | 3AB / 3ABP | >10A - 15A / 250V AC@ 750A >15A - 20A / 250V AC@ 1,500A >10A - 20A / 125V AC@ 10,000A |
| PS E File No. JET1037-31003-1001, JET1037-31003-1003 | | 1A - 5A / 125V AC@ 500A |
| File No. JET1037-31003-1002 | 3AB | >5A - 15A /125V AC@ 300A |

RoHS 6 Compliant Product

Operating Temperature

-55°C to +125°C

Physical Specification

Materials

Ceramic body / Nickel Plated Brass Caps

Lead wire:

Matte Tin Plated Copper, Diameter 0.040" for all ratings

Marking

On fuse:

"bel", "3AB", "Current Rating", "Voltage Rating",
"Appropriate Safety Logos", "✓" (RoHS 6 compliant)

On label:

"bel", "3AB" or "3ABP", "Current Rating", "Voltage Rating",
"Interrupting Rating", "Appropriate Safety Logos"
and "M", "e" (China RoHS compliant)

Voltage on fuse:

125V and 250V for 750mA - 20A rating,
250V for below 750mA rating

Packaging

1. In bulk:

3AB - 1,000 pcs per box; **3ABP** - 500 pcs per box

2. On Axial Tape & Reel:

1,000 pcs per reel

3. Tape & Reel specification:

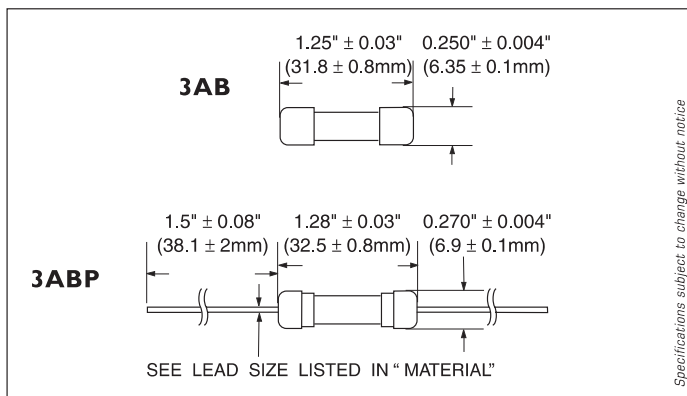
per EIA-296-E & IEC 286-1

@ 10mm Pitch and 73mm inside Tape Spacing

| Catalog Number | Ampere Rating | Typical Cold Resistance (ohm) | Volt-drop @100% In (Volt) max. | Melting I ² T < 10 mSec (A ² Sec) | Melting I ² T @10 In (A ² Sec) | Maximum Power Dissipation (W) |
|----------------|---------------|-------------------------------|--------------------------------|---|--|-------------------------------|
| 3AB (P) 100-R | 100mA | 12.5 | 4.5 | 0.002 | 0.002 | 0.59 |
| 3AB (P) 125-R | 125mA | 12.0 | 4.5 | 0.004 | 0.003 | 0.74 |
| 3AB (P) 160-R | 160mA | 8.3 | 4.2 | 0.008 | 0.005 | 0.87 |
| 3AB (P) 200-R | 200mA | 5.7 | 3.9 | 0.014 | 0.010 | 1.02 |
| 3AB (P) 250-R | 250mA | 3.9 | 3.6 | 0.025 | 0.017 | 1.19 |
| 3AB (P) 300-R | 300mA | 2.7 | 3.4 | 0.044 | 0.032 | 1.40 |
| 3AB (P) 375-R | 375mA | 2.0 | 3.2 | 0.07 | 0.05 | 1.58 |
| 3AB (P) 500-R | 500mA | 0.75 | 1.1 | 0.14 | 0.10 | 1.92 |
| 3AB (P) 750-R | 750mA | 0.24 | 0.2 | 0.75 | 0.74 | 0.30 |
| 3AB (P) 1-R | 1A | 0.16 | 0.23 | 1.43 | 1.44 | 0.37 |
| 3AB (P) 1.25-R | 1.25A | 0.114 | 0.21 | 2.45 | 2.51 | 0.44 |
| 3AB (P) 1.6-R | 1.6A | 0.084 | 0.20 | 4.2 | 4.4 | 0.51 |
| 3AB (P) 2-R | 2A | 0.063 | 0.18 | 7.2 | 7.6 | 0.59 |
| 3AB (P) 2.5-R | 2.5A | 0.047 | 0.170 | 12 | 13 | 0.70 |
| 3AB (P) 3-R | 3A | 0.035 | 0.162 | 21 | 23 | 0.83 |
| 3AB (P) 3.5-R | 3.5A | 0.030 | 0.157 | 28 | 31 | 0.91 |
| 3AB (P) 4-R | 4A | 0.026 | 0.154 | 36 | 40 | 1.0 |
| 3AB (P) 5-R | 5A | 0.020 | 0.146 | 63 | 70 | 1.2 |
| 3AB (P) 6-R | 6A | 0.015 | 0.139 | 107 | 123 | 1.4 |
| 3AB (P) 7-R | 7A | 0.013 | 0.135 | 141 | 162 | 1.6 |
| 3AB (P) 8-R | 8A | 0.012 | 0.132 | 184 | 214 | 1.7 |
| 3AB (P) 10-R | 10A | 0.009 | 0.125 | 316 | 372 | 2.0 |
| 3AB (P) 12-R | 12A | 0.008 | 0.160 | 501 | 597 | 2.3 |
| 3AB (P) 15-R | 15A | 0.006 | 0.140 | 845 | 1023 | 2.7 |
| 3AB (P) 20-R | 20A | 0.004 | 0.120 | 1598 | 1968 | 3.0 |

Consult manufacturer for other ratings

Mechanical Dimensions



ORDERING INFORMATION SEE LAST 2 PAGES

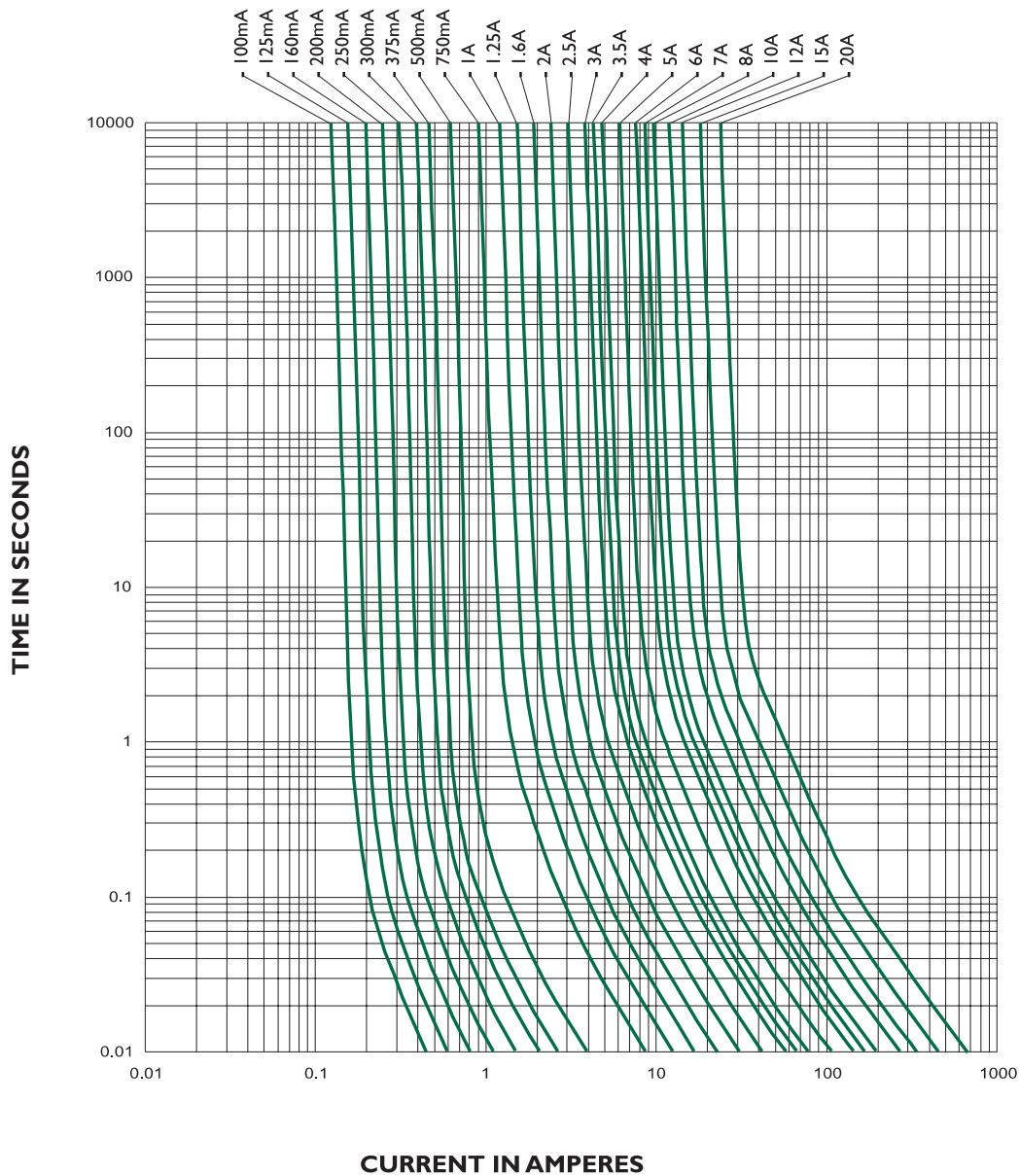
Type 3AB / 3ABP
Fast Blow Fuse Series

1/4 x 1 1/4 inch Ceramic Tube
RoHS 6 Compliant



3ABC0808

3AB / 3ABP - TIME CURRENT CHARACTERISTIC CURVE



Specifications subject to change without notice

NOTE - see important information under "User Guide" on P.08

Corporate Office

Bel Fuse Inc.
206 Van Vorst Street, Jersey City, NJ 07302
Tel: 201-432-0463
Fax: 201-432-9542
E-Mail: belfuse@belfuse.com
Website: www.belfuse.com

Far East Office

Bel Fuse Ltd.
8F/8 Luk Hop Street
San Po Kong
Kowloon, Hong Kong
Tel: 852-2328-5515
Fax: 852-2352-3706

European Office

Bel Fuse Europe Ltd.
Preston Technology Management Centre
Marsh Lane, Preston PR1 8UQ
Lancashire, U.K
Tel: 44-1772-556601
Fax: 44-1772-888366