

FP1 MINI® Style PCB Fuse Rated 32V



Specifications

UL 248 Special Purpose Fuses
cULus Recognized: File No. E211637

Insulating body: Out of thermoplastic (UL 94-V0, heat-resistant)
Cover: Out of thermoplastic (V0, transparent), Visible melting-element
Terminals: Shunt: Red, not transparent
 Soldering pins
 Copper alloy, gal. Sn plated
Interrupting Rating: 1000 A @ 32 VDC
Packaging:

Series	Pack Size
168.6585.xxx6	100
168.6585xxx2	1500

The FP1 is a MINI® style fuse for direct trough-hole pcb soldering. The FP1 has similar performance characteristics as the standard FK1 fuse.

FP1 ist eine Sicherung in MINI-Bauform für direkte Leiterplattenmontage (Durchkontaktierung) mit ähnlichen Leistungsmerkmalen wie die Standard-FK1-Sicherung.

Time-Current Characteristics / Schmelzeit-Grenzwerte

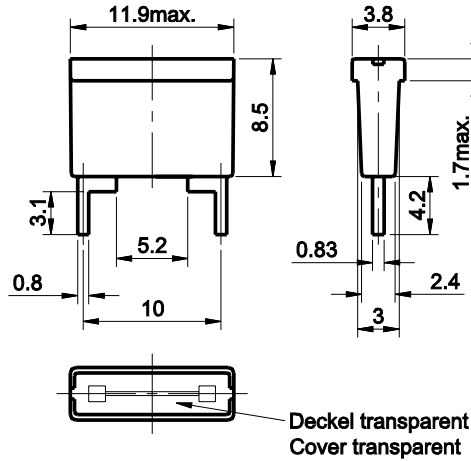
% of Rating % des Nennstromes	Opening Time Min / Max (s) Schmelzcharakteristik Min / Max (s)
110	360,000 s / –
135	0.750 s / 1,800 s
200	0.150 s / 5 s
350	0.040 s / 0.500 s
600	0.020 s / 0.100 s

Part Number Artikel-Nr.	Current Rating Nennstrom	Housing Color Kennfarbe	Typ. Voltage Drop Typ. Spannungsfall		Cold Resistance Kaltwiderstand	I²t
			Standard DIN max.	Littelfuse max.		
168.6585.410_	1 A	Black	225 mV	135 mV	100 mΩ	0.83 A²s
168.6585.420_	2 A	Grey	200 mV	110 mV	43.0 mΩ	3.31 A²s
168.6585.430_	3 A	Purple	175 mV	110 mV	27.0 mΩ	7.45 A²s
168.6585.440_	4 A	Pink	175 mV	110 mV	21.3 mΩ	16.7 A²s
168.6585.450_	5 A	Brown	175 mV	105 mV	16.2 mΩ	19.8 A²s
168.6585.475_	7.5 A	Dark Brown	150 mV	100 mV	9.70 mΩ	44.5 A²s
168.6585.510_	10 A	Red	125 mV	110 mV	7.40 mΩ	79.2 A²s
168.6585.515_	15 A	Blue	125 mV	105 mV	4.50 mΩ	178 A²s
168.6585.520_	20 A	Yellow	–	100 mV	3.10 mΩ	331 A²s
168.6585.525_	25 A	White	–	105 mV	2.60 mΩ	653 A²s
168.6585.530_	30 A	Green	–	105 mV	1.90 mΩ	1,264 A²s
160.6585.0002	Shunt	White	–	60 mV	1.35 mΩ	1,800 A²s

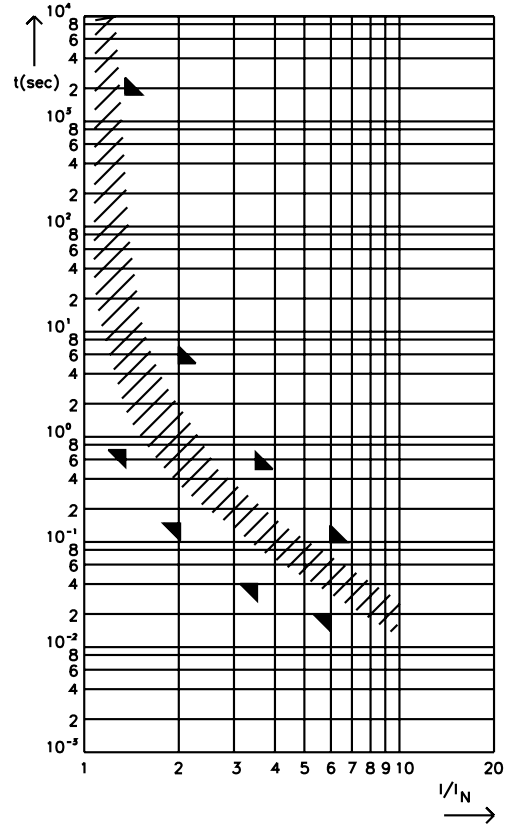
Corresponding holder see Section "Fuse Holders."

FP1 MINI® Style PCB Fuse Rated 32V

Dimensions in mm / Maße in mm



Pre-arcing Time - limits / Schmelzeit-Grenzwerte DIN



FI = 1.33 (max. operating current: 0.75 x I_{rat} at 23°C)

Blade Fuses