

RoHS 481 Series Alarm Indicating Fuse





Description

481 Series alarm indicating fuses are designed to reduce down time by immediately pinpointing the blown (open) circuit while triggering an LED or audio alarm. This item requires 482 Series mating fuse holder.

All ranges of 481 Series fuses are available as our original design, and the 2-20 amp range is now available as a RoHS compliant option (use the "P" designator when ordering). See the part numbering section of this data sheet for related ordering instructions.

Agency Approvals

| Agency | Agency File Number |
|---|--------------------|
|  | E71611 |
|  | LR 29862 |

Electrical Characteristics

| % of Ampere Rating | Opening Time |
|--------------------|---------------------|
| 100% | 10 Minutes, Minimum |
| 150% | 5 Minutes, Maximum |



Features

- Color-coded indicator flags indicate ampere rating.
- Clear plastic lens option available for additional safety.
- Body is constructed of black polyphenylene sulfide with UL-94V0 flammability rating.
- Contacts made of bright alloy-plated beryllium copper.

Applications

Ideal for telecommunications and control panel circuits

Electrical Characteristics

| Ampere Rating (A) | Amp Code | Max Voltage Rating (V) | Interrupting Rating | Body Color Code | Nominal Cold Resistance (Ohms) | Nominal Melting I ² t (A ² Sec.) | Agency Approvals | |
|-------------------|----------|------------------------|---|-----------------|--------------------------------|--|---|---|
| | | | | | | |  |  |
| 0.180* | .180 | 125 VAC & 125 VDC | 450A @ 60 VDC 300A @ 125 VAC (up to 20A) 300A @ 125 VDC (up to 15A) 200A @ 125 VDC (up to 20A) | Yellow | 6.25 | 0.00808 | x | x |
| 0.200* | .200 | | | Red/Black | 5.70 | 0.0140 | x | x |
| 0.250* | .250 | | | Violet | 4.20 | 0.0356 | x | x |
| 0.375* | .375 | | | Gray/White | 2.00 | 0.028 | x | x |
| 0.500* | .500 | | | Red | 1.52 | 0.139 | x | x |
| 0.650* | .650 | | | Black | 1.25 | 0.278 | x | x |
| 0.750* | .750 | | | Brown | .980 | 0.363 | x | x |
| 1.00* | 001. | | | Gray | .665 | 0.733 | x | x |
| 1.33* | 1.33 | | | White | .480 | 1.58 | x | x |
| 1.50* | 01.5 | | | Yellow/White | .385 | 2.55 | x | x |
| 2.00 | 002. | | | Orange | .120 | 5.29 | x | x |
| 2.50 | 02.5 | | | Orange/White | .0904 | 9.46 | x | x |
| 3.00 | 003. | | | Blue | .0670 | 11.2 | x | x |
| 3.50 | 03.5 | | | Blue/White | .0415 | 10.5 | x | x |
| 4.00 | 004. | | | Brown/White | .0350 | 15.4 | x | x |
| 5.00 | 005. | | | Green | .0285 | 26.2 | x | x |
| 7.50 | 07.5 | | | Black/White | .0113 | 42.8 | x | x |
| 10.0 | 010. | | | Red/White | .00840 | 115.3 | x | x |
| 12.0 | 012. | | | Green/Yellow | .00660 | 222.5 | x | x |
| 15.0 | 015. | | | Red/Blue | .00580 | 294.22 | x | x |
| 20.0** | 020. | Green/White | .00394 | 570.0 | x | x | | |

* 0.180A thru 1.5A items are not available for sale as a RoHS compliant "P" option

**20A Fuseholder must be used. Fuse is keyed to prevent insertion in lower rated holders.

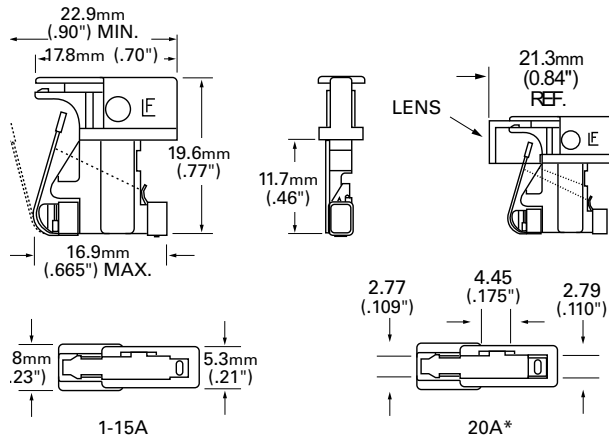
20A Fuseholder is designed to accept all ratings up to 20 amperes.

Product Characteristics

| | |
|------------------|---|
| Material | Body: Polyphenylene Sulfide (UL 94VO) |
| | Terminations: Beryllium Copper/Tin Plated |
| | Optional Lens: Nylon |
| Vibration | Per MIL-STD-202F |

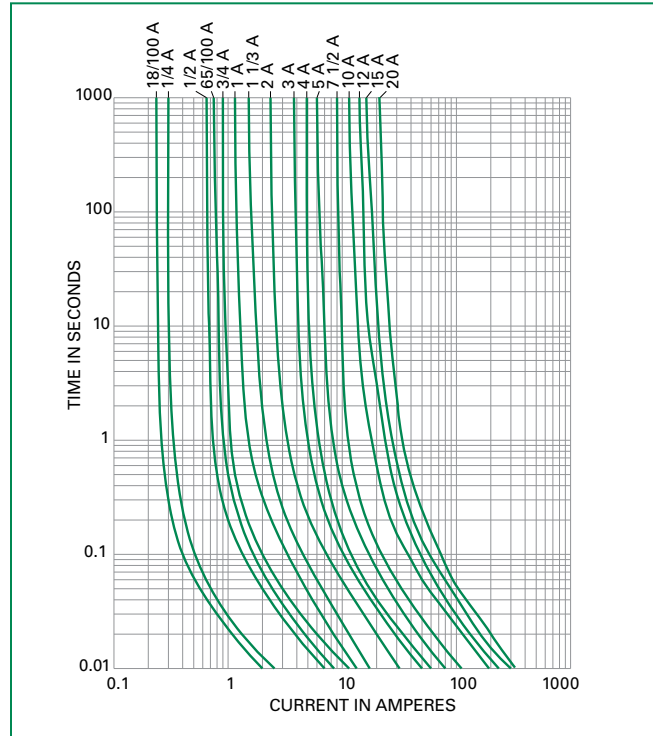
| | |
|--|--|
| Operating Temperature | - 55°C to 90°C. |
| Thermal Shock | Withstands 5 cycles of - 55°C to 125°C |
| Insulation Resistance (After Opening) | Greater than 10,000 ohms. |

Dimensions



*20A Fuseholder must be used. Fuse is keyed to prevent insertion in lower rated holders. 20A Fuseholder is designed to accept all ratings up to 20 amperes.

Average Time Current Curves



Part Numbering System

0481 .180 H XL P

RoHS ITEM OPTION CODE:
 Blank = Standard design item
 P = RoHS compliant version item
 (available in 2-20 amp range only)

OPTION CODE:
 Blank = Standard
 XL = Protective Lens

QUANTITY CODE:
 V = 5 pack
 H = 100 pack

AMP CODE
 (See Electrical Characteristics Table)

SERIES