

CONFIDENTIAL. THE INFORMATION CONTAINED IN THIS DOCUMENT IS THE PROPERTY OF COOPER INDUSTRIES, INC. IT IS NOT FOR PUBLIC DISCLOSURE. POSSESSION OF THE INFORMATION DOES NOT CONVEY ANY RIGHT TO LOAN, SELL OR DISCLOSE THE INFORMATION. UNAUTHORIZED REPRODUCTION OR USE OF THE INFORMATION IS PROHIBITED. THIS DOCUMENT IS TO BE RETURNED TO COOPER INDUSTRIES, INC. UPON COMPLETION OF THE PURPOSE FOR WHICH IT IS LOANED OR UPON REQUEST.

COPYRIGHT Cooper Industries, Inc. This is an unpublished work. The disclosure of this work is limited to select personnel. Further dissemination or disclosure to the public is PROHIBITED. This unpublished work is protected by Federal Copyright law and all rights thereunder are reserved by Cooper Industries, Inc.

SCALE  
**.75x**

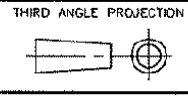
UNLESS OTHERWISE SPECIFIED TOLERANCES TO BE:  
METRIC  $\pm .13\text{mm}$   
INCHES  $\pm .005''$   
ANGULAR  $\pm 2^\circ$

DATE  
**3-1-05**

NO.  
**4164-A**

TITLE  
**FUSEBLOCK**

INDICATES CRITICAL DIMENSION OR FEATURE



SUP. NO. \_\_\_\_\_ DATED \_\_\_\_\_

DWG. **BAM** CK. \_\_\_\_\_ REV. **---**

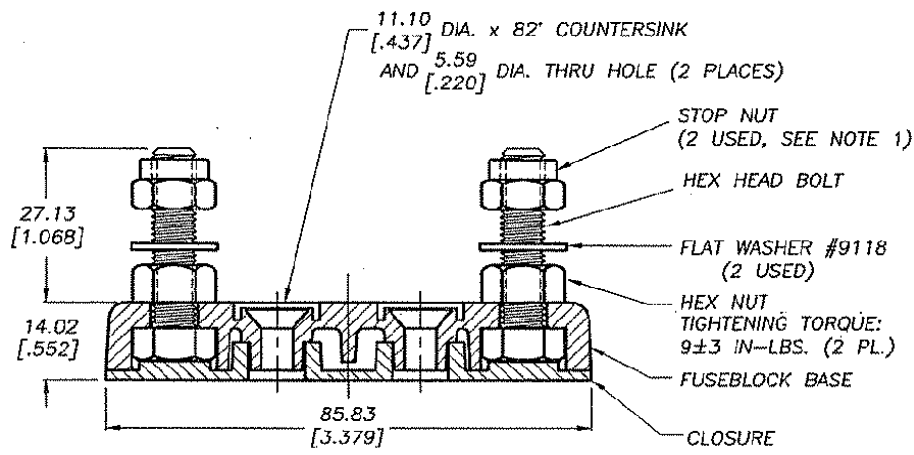
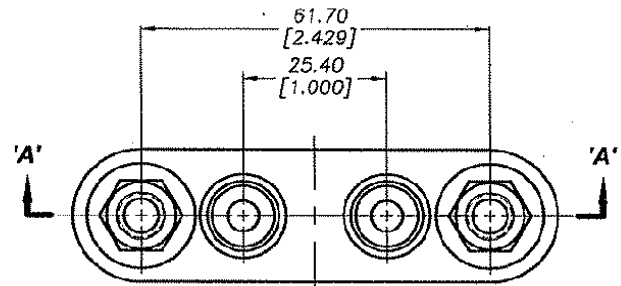
**J05054**

INCHES (OR U.S. UNITS) IS THE PRIMARY UNIT OF MEASURE  
**METRIC(mm)**  
**[INCHES]**

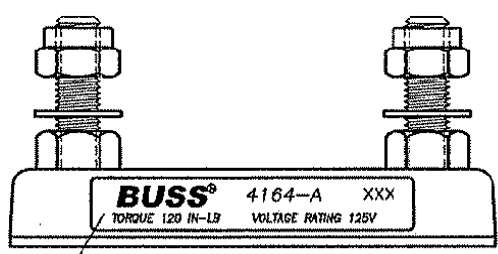
**COOPER Bussmann**  
St. Louis, MO 63178

C/F NO. **63643** DISTRIBUTION **56** J

FOR: ANL LIMITERS



**SECTION 'A'-'A'**



LABEL

DATE CODE

**BUSS®** 4164-A XXX  
TORQUE 120 IN-LB VOLTAGE RATING 125V

LABEL PRINTING  
1.5X

