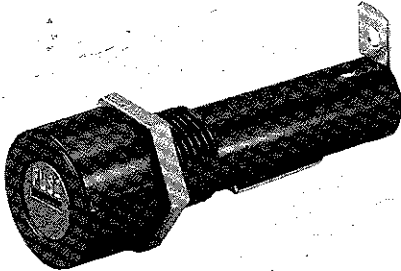


FUSEHOLDERS PANEL MOUNT TYPE

Screwdriver Slot Knob Type for 3AG or 8AG Fuses

341 000 Series
371 000 Series



F001-ND

CATALOG NUMBER	
3AG TYPE	8AG TYPE
341 001	371 001

APPROVALS: 3AG fuseholders are Recognized under the Components Program of Underwriters Laboratories and Certified by C.S.A.

SPECIFICATIONS:

Electrical: Rated at 15 amperes for any voltage up to 250V.

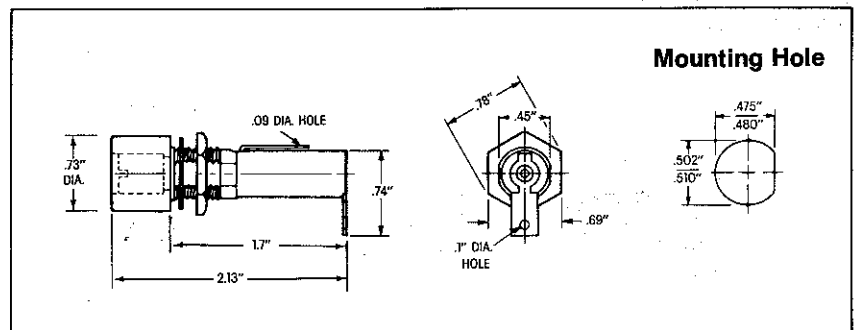
Mounting: Withstands 15 lb.-in. mounting torque; maximum panel thickness is .31".

Molded Parts: Finger grip knobs and bodies are black thermoset. Screwdriver type knob is red thermoset.

Knobs: Screw-type with white lettering on 3AG styles and blue lettering on 8AG styles.

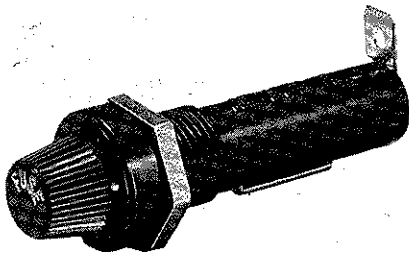
Terminals: Brass. Tin-plated. Solder type.

Hardware: Neoprene washer, lockwasher and hex nut, unassembled.



Fingergrip Knob Type for 3AG or 8AG Fuses

342 000 Series
372 000 Series



F002-ND

CATALOG NUMBER	
3AG TYPE	8AG TYPE
342 001	372 001

APPROVALS: See above.

SPECIFICATIONS: See above.

