

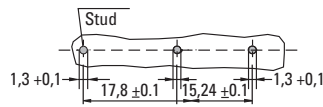
## Holder / No. 862

## PC Mount, Shocksafe 5x20mm / 6.3x32mm Fuses

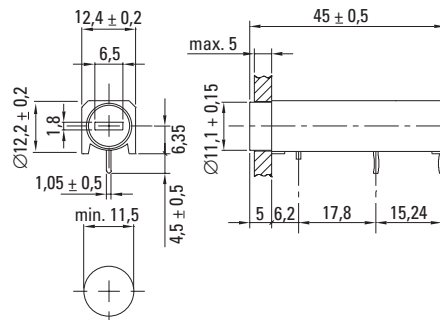
## Specifications



### Horizontal / 2-Pin



Holes in the printed circuit board: 1,3 +0,1



### Standard

IEC 60127-6  
UL 512  
CSA C22.2. No.39

### Approvals

VDE Report  
SEMKO  
UL Recognized  
CSA  
SEV



### Mounting

(2) Solder pins 0.5mm x 1.1mm and plastic stud  
Pins are kicked for optimal soldering

### Protection Class & Category

IP 40 (IEC 60529)  
PC2 (IEC 60127-6)

### Materials

Holder/Cap: Black Thermoplastic, UL 94V0  
Metal Parts: Copper alloy, corrosion protected  
Terminals: Solderable, tinned

### Electrical Data (23°C)

Rated Voltage: 250V  
Rated Current: 10A (VDE/SEMKO/SEV)  
16A (UL/CSA)  
Rated Power: 862/865: 2.5W (VDE/SEV)  
862/866: 3.2W (VDE/SEV)

### Operating Temperature

-40°C to +85°C (consider de-rating)

### Climatic Test

-40°C/+85°C/21 days (IEC 60068-2-1...3)

### Stock Conditions

+10°C to +60°C  
relative humidity ≤ 75% yearly average,  
without dew, maximum value for 30 days - 95%

### Vibration Resistance

24 cycles at 15 min. each (IEC 60068-2-6)  
10 - 60Hz at 0.35mm amplitude  
60 - 500Hz at 5g acceleration

### Contact Resistance

≤ 5mΩ

### Impulse Voltage

4 kV, 50 Hz, 1 min., dry

### Insulation Resistance

> 10<sup>3</sup> MΩ (500 VDC, 1 min.)

### Solderability

235°C, 2 sec. (Wave)  
350°C, 1 sec. (Soldering Iron)

### Soldering Heat Resistance

350°C, 5 sec. (IEC 60068-2-20)

### Minimum Cross Section

Conducting path - 0.2mm<sup>2</sup>

### Marking

862, 250V, Approvals

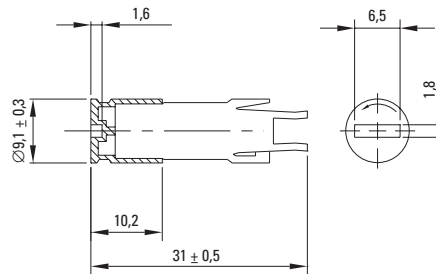
### Unit Weight

5.6g (862) / 3.3g (865) / 2.5g (866)

## Cap / No. 865



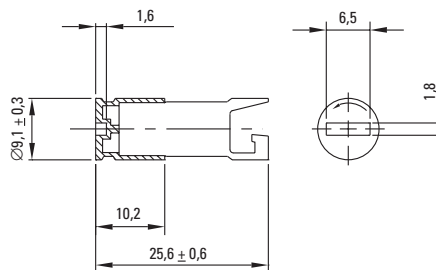
For 5x20mm Fuses



## Cap / No. 866



For 6.3x32mm Fuses



## Order Information

### Packaging

Bulk (100 pcs.)

### Order Numbers

|               |                  |
|---------------|------------------|
| Holder        | No. 862 0000 100 |
| Cap, 5x20mm   | No. 865 0000 100 |
| Cap, 6.3x32mm | No. 866 0000 100 |



### Specifications are subject to change without notice

Note: 1.00 means the number one with two decimal places. 1,000 means the number one thousand.