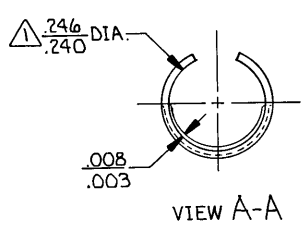
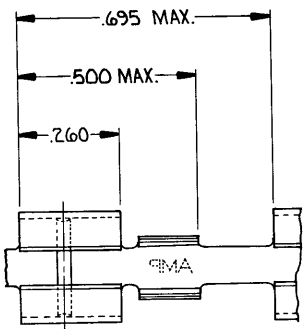


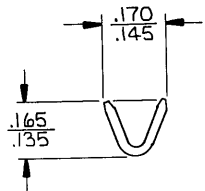
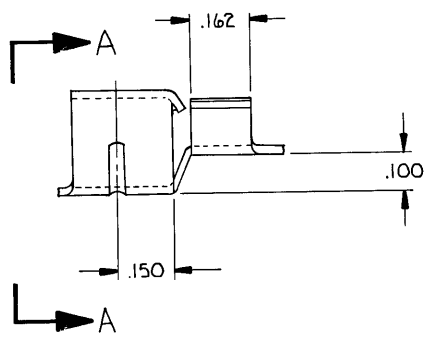
DRAWING MADE IN THIRD ANGLE PROJECTION

THIS DRAWING IS UNPUBLISHED. RELEASED FOR PUBLICATION . 19
 © COPYRIGHT 19 BY AMP INCORPORATED, HARRISBURG, PA. ALL INTERNATIONAL RIGHTS RESERVED. AMP PRODUCTS MAY BE COVERED BY U.S. AND FOREIGN PATENTS AND/OR PATENTS PENDING.

REVISIONS						
P	F	ZONE	LTR	DESCRIPTION	DATE	APPROVED
✓			F3	REDWN. WAS LOCATED ON 40626	5-18-87	PKC
			G	REV PER 0710-0427-95		PKC



△ FITS ON .250 ± .003 DIA. PIN.



	.020 BRASS	60654-2
PRE-TIN	.020 BRASS	60654 1
PLATING	MATERIAL	PART NO

UNLESS OTHERWISE SPECIFIED DIMENSIONS ARE IN INCHES. TOLERANCES ON: DECIMALS ± .015 ANGLES ± 1° 0'	CONTRACT NO	AMP AMP INCORPORATED Harrisburg, Pa.	
	DR <i>Phil Collins</i> 5-18-87	NAME	FUSE RECEPTACLE
	CHK <i>Y Beck</i> 5-28-87	SIZE	B
	APPD <i>Don</i> 28 May 87	FSCM NO	00779
MATERIAL	DSGN APPD	DRAWING NO	60654
SEE TABLE	OTHER APPD	SCALE	4:1
FINISH		SHEET	1 OF 1
SEE TABLE			

CUSTOMER DRAWING

AMP 1470-17