

## Blade Fuseholders - FLR PCB Fuseholder for ATO® Style Blade Fuse rated 80V

RoHS



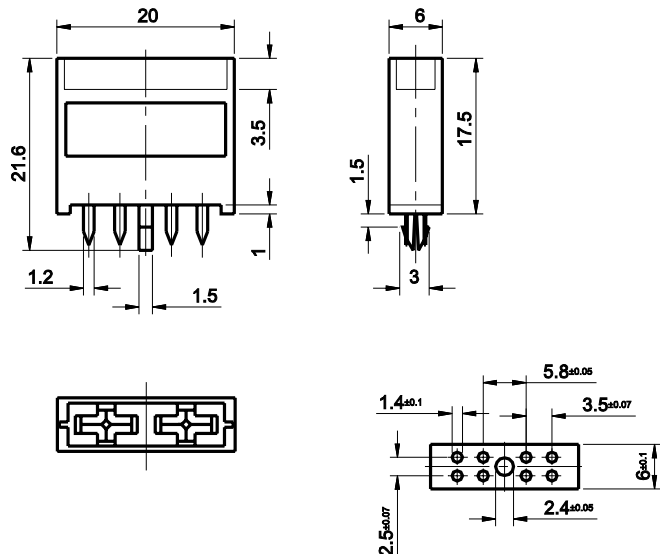
### Specifications

- Housing:** Out of thermoplastic (UL 94-V0, heat-resistant)
- Connections:** Leaf spring connector systems, soldering terminals (4 pins each), copper alloy, silver plated
- Color:** Black

PCB Fuseholder for ATO / FKS size fuse-links. For through hole soldering. Rated voltage 80V.

PCB-Sicherungshalter für Sicherungen in ATO / FKS-Größe. Durchlötmontage, Nennspannung 80V.

### Dimensions in mm / Maße in mm



Part Number Artikel-Nr.	Description Beschreibung	Contact Temperature Kontakttemperatur
178.6165.000_	Complete	max. 130°C

Last figure of part number = packaging code, see Section "Packaging Index," pg. 157.  
Corresponding fuse links see Section "Blade Fuses."