

SMT Jumper Link

- Designed to link PCB tracks where through hole links are not possible.
- Typical applications include use on aluminium backplanes in power applications.
- High current.
- Small footprint.



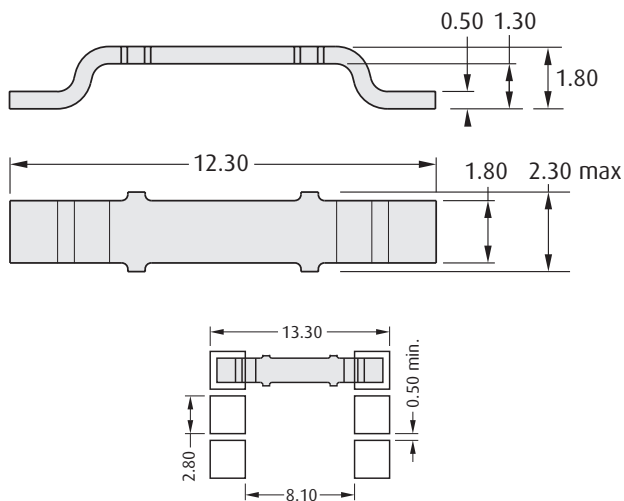
12.3mm LONG

➤ Materials

Material: Copper Alloy
Finish: See Order Code

➤ Packaging

Format: Tape and Reel or Loose
Reel quantity: 5,000 on a Ø330mm reel



Recommended PC Board Pattern

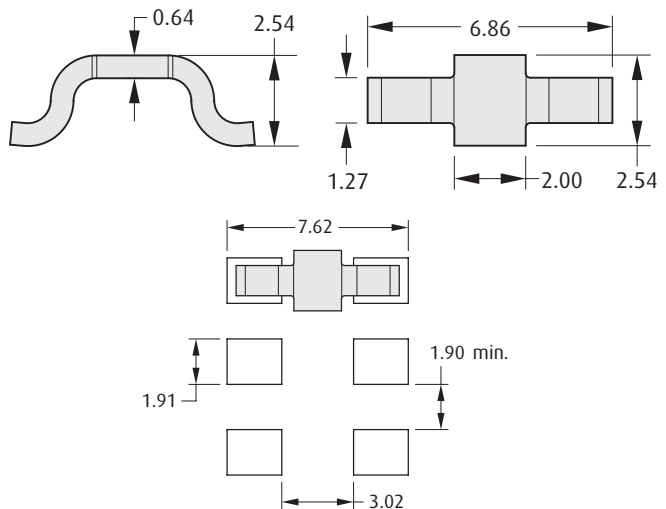
6.86mm LONG

➤ Materials

Material: Copper
Finish: See Order Code

➤ Packaging

Format: Tape and Reel or Loose
Reel quantity: 2,500 on a Ø330mm reel



Recommended PC Board Pattern

HOW TO ORDER

S1 XX 1 - XX R

SERIES CODE

TYPE	
62	12.3mm long
73	6.86mm long

PACKAGING

R	Tape & Reeled
Blank	Loose

FINISH

06	Tin/Lead	
46	Tin	

All dimensions in mm.

www.harwin.com

