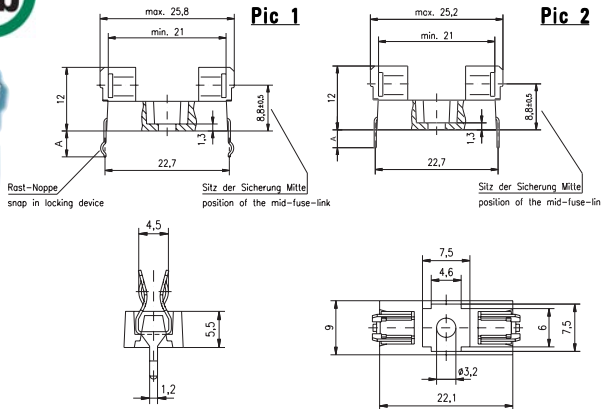
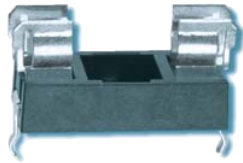


## Holder / No. 646

## PC Mount, for 5x20mm Fuses, lead free

## Specifications



### Mounting

Solder pins 0.5mm x 1.2mm  
 Ø 3mm screw hole may be used optionally

### Materials

Holder: Black Thermoplastic, UL94 V-0  
 Polyamide PA 6.6  
 Metal Parts: Copper alloy, solderable, tinned

### Electrical Data (23°C)

Rated Voltage: 250V  
 Max. current/power: 6.3A/2.5W  
 5A/1W (with No. 648)  
 6.3A/1.6W (with No. 640)

### Minimum Cross Section

Conducting path - 0.2mm<sup>2</sup>

### Unit Weight

1.6g

### Packaging

Bulk (1000 pcs.)

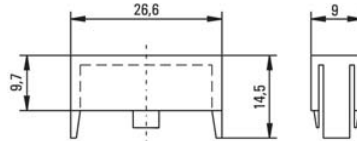
### Order Information

| Qty. | Order Number | Series | Type |
|------|--------------|--------|------|
|      |              | 646    | 0000 |

| Type | Pic | Meas. "A" | for PCB-Thickness |
|------|-----|-----------|-------------------|
| 100  | 1   | 5mm       | 3mm               |
| 122  | 1   | 3.2mm     | 1.5mm             |
| 123  | 2   | 3.3mm     | 1.5mm             |

## Cover / No. 648

## Optional Cover



### Materials

Cover: Transparent Thermoplastic, UL94 V-0, Polycarbonate PC

### Unit Weight

1.0g

### Packaging

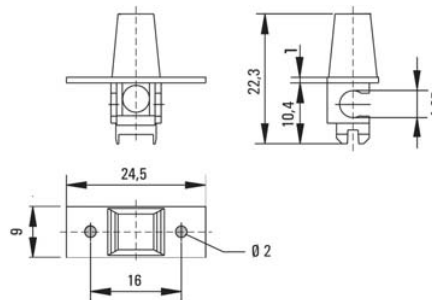
Bulk (2000 pcs.)

### Order Information

| Qty. | Order Number | Series | Type     |
|------|--------------|--------|----------|
|      |              | 648    | 0000 100 |

## Adapter / No. 640

## Optional Adapter



### Mounting

Hand adapter can be optionally used with Holder No. 646 and 647

### Materials

Adapter: Polyester PBT, UL94 V-0

### Unit Weight

1.0g

### Packaging

Bulk (5000 pcs.)

## Colours

|                |     |
|----------------|-----|
| Adapter black  | 100 |
| Adapter brown  | 140 |
| Adapter white  | 150 |
| Adapter yellow | 160 |
| Adapter green  | 170 |
| Adapter blue   | 190 |

### Order Information

| Qty. | Order Number | Series | Colour |
|------|--------------|--------|--------|
|      |              | 640    | 0000   |

Contact Littelfuse for an auto-insertable fuse, holder and adapter assembly.

Specifications are subject to change without notice

Note: 1.00 means the number one with two decimal places. 1,000 means the number one thousand.