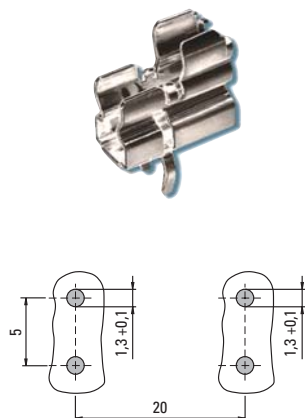
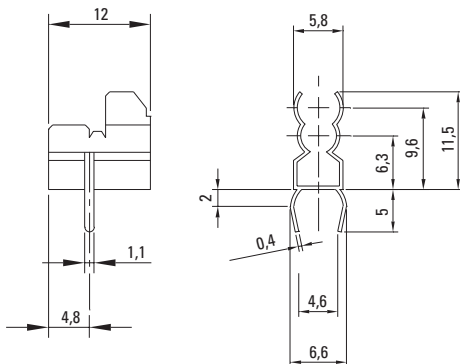


## Clip / No. 518 lead free



## PC Mount, 5x20 mm / 6.3x32 mm Fuses



## Specifications

**Approvals**  
UL Recognized



### Mounting

PC Board, 5mm pin spacing  
Kicked solder pins 0.4 x 1.1 mm

### Materials

Clip: Copper alloy  
Solderable, tinned

### Electrical Data (23 °C)

Rated Voltage: 250 V  
Max. Current/Power: 10 A/2.5 W

### Minimum Cross Section

Conducting path - 0.2 mm<sup>2</sup>

### Unit Weight

0.9 g

### Packaging

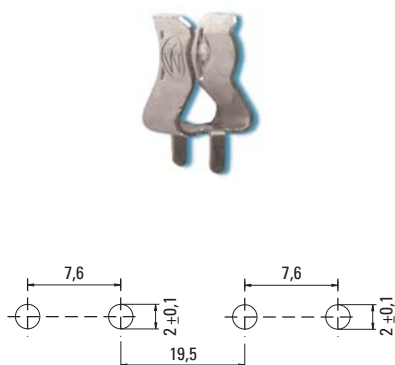
Bulk (1000 pcs.)

### Order Number

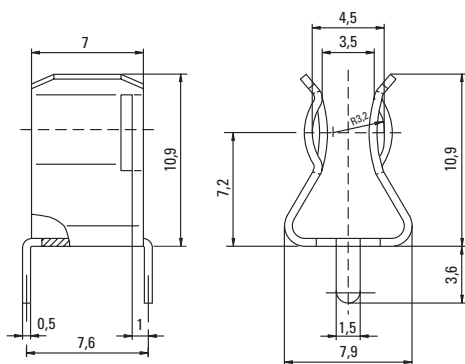
Clip No. 518 0000 100



## Clip / No. 102071 lead free



## PC Mount, 6.3x32 mm Fuses



### Mounting

PC Board, 7.6 mm pin spacing  
Solder pins 0.5 x 1.5 mm

### Materials

Clip: Copper alloy  
Solderable, tinned

### Electrical Data (23 °C)

Rated Voltage: 500 V  
Max. Current/Power: 10A/4 W

### Minimum Cross Section

Conducting path - 0.2mm<sup>2</sup>

### Unit Weight

0.9 g

### Packaging

Bulk (2000 pcs.)

### Order Number

Clip No. 102 0710 100



Note: 1.00 means the number one with two decimal places. 1,000 means the number one thousand.

**Specifications are subject to change without notice**