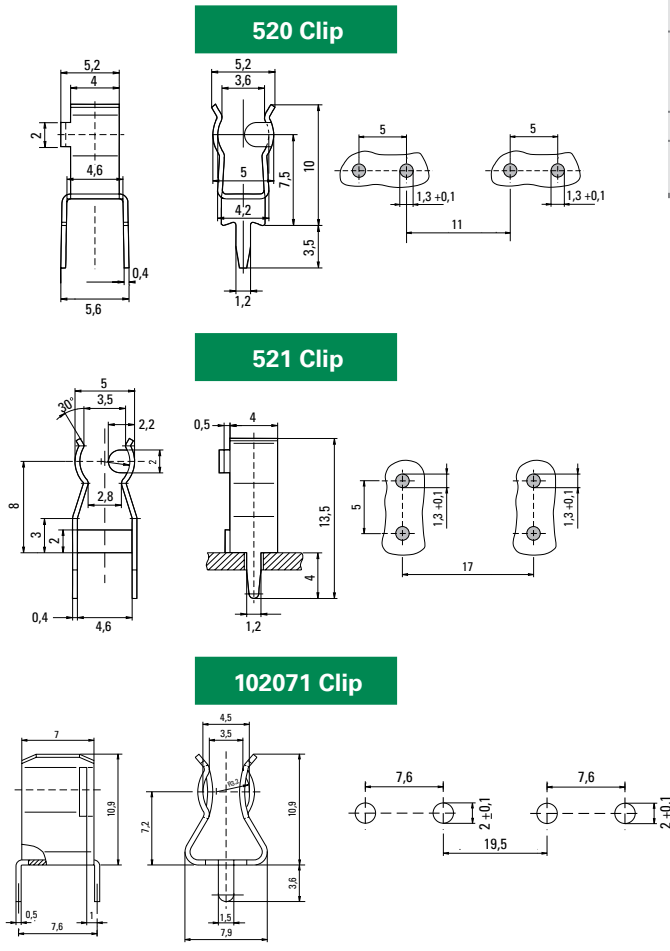


RoHS Pb **520/521/102071 Series, clips**



**Product Dimensions**



**Product Characteristics**

	520 Clip	521 Clip	102071 Clip
<b>Compatible Fuse Size</b>	5mm Diameter		6.3mm Diameter
<b>Electrical Data (23°C)</b>	Rated Voltage: 250V		Rated Voltage: 500V
	Max. Current/Power: 6.3A/2.5W		Max. Current/Power: 10A/4W
<b>Mounting</b>	PC Board, 5mm pin spacing Solder pins 0.4 x 1.2mm		PC Board, 7.6 mm pin spacing Solder pins 0.5 x 1.5 mm
<b>Solderability</b>	235°C, 2 sec. (IEC 60068-2-20)		
<b>Soldering Heat Resistance</b>	260°C, 10 sec. (IEC 60068-2-20)		
<b>Minimum Cross Section</b>	Conducting path - 0.2mm <sup>2</sup>		
<b>Unit Weight</b>		0.4g	0.9g
<b>UL Agency Approval</b>	N/A	N/A	N/A

**Ordering Information**

Ordering PN	Clip Material	Plating	Packaging Available
52000001009	Phos Bronze	Tin plated	Bulk 2000
52100001009	Phos Bronze	Tin plated	Bulk 2000
10207101009	Brass	Tin plated	Bulk 1000