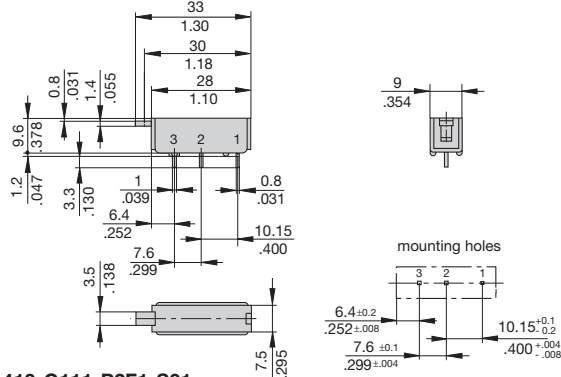
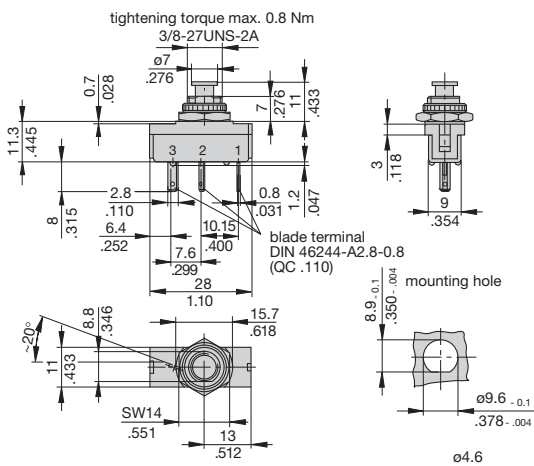


Dimensions

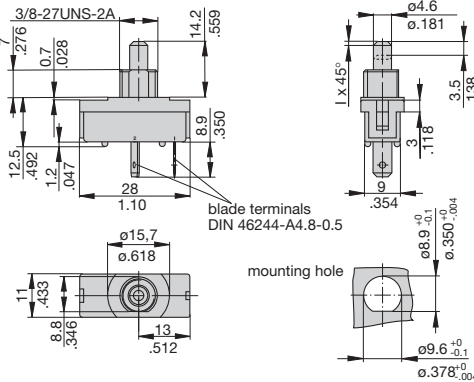
1410-L210-L2F1-S02



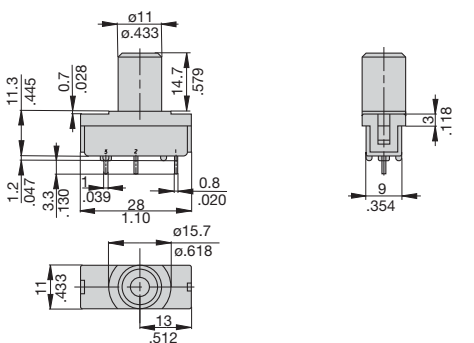
1410-G111-P2F1-S01



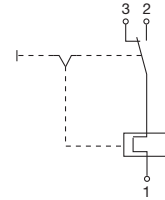
1410-G114-P3F1-B04-...



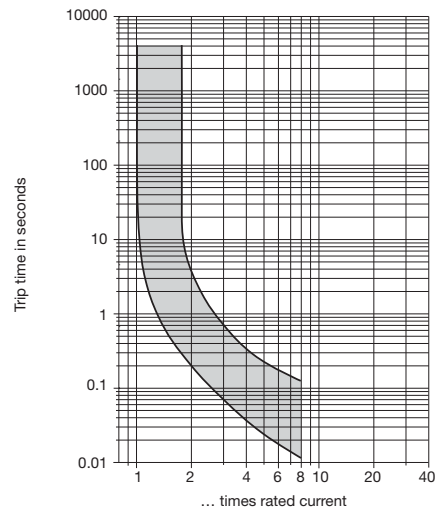
1410-G118-L2F1-B04-...



Internal connection diagram

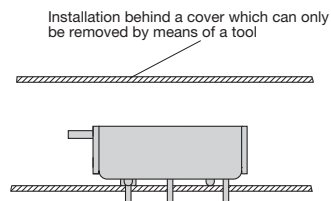


Typical time/current characteristics at +23 °C/+73.4 °F

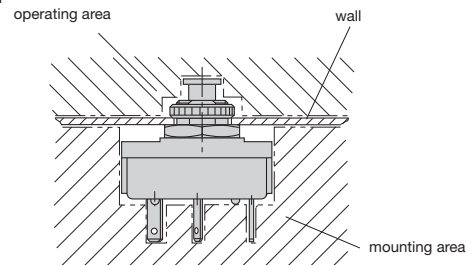


Installation drawings

1410-L2..



1410-G...



This is a metric design and millimeter dimensions take precedence ($\frac{\text{mm}}{\text{inch}}$)

All dimensions without tolerances are for reference only. In the interest of improved design, performance and cost effectiveness the right to make changes in these specifications without notice is reserved. Product markings may not be exactly as the ordering codes. Errors and omissions excepted.