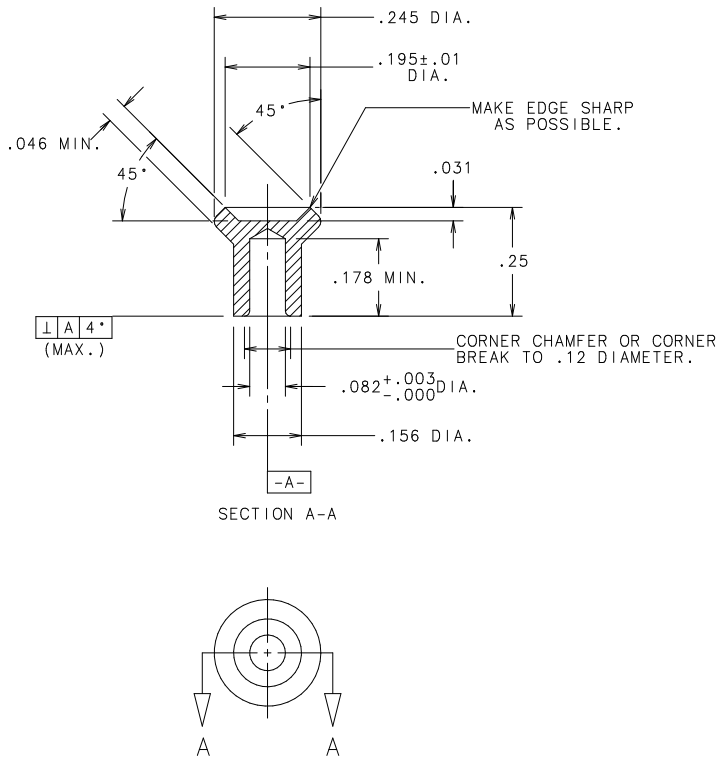


PART No.	FINISH SPECIFICATIONS	CONTACT RIVET
904-216	NONE - FREE OF OIL & CONTAMINANTS	N/A
904-216-001	ES-001001 NI	904-216
904-216-002	ES-001001	904-216



- NOTES:
1. THIS RIVET IS SIMILAR TO 904-197 WITH EXCEPTION OF HOLE SIZE.

DESCRIPTION		QTY/M	U/M
BILL OF MATERIAL			
MATERIAL SPEC		FINISH	
COPIES TO	DATE	SCALE	
1 9 18	10/12/95	4:1	
2 10 19		SUPER DRW	
3 12 20		RAW STK WT	
4 13 21			
5 14 23			
6 15 33			
7 16 43			
8 17 53			
TOLERANCE UNLESS OTHERWISE SPECIFIED TWO PLACE DEC. ±.010 FRACTION ± THREE PLACE DEC. ±.005 ANGULAR ±1°			
TITLE CONTACT RIVET			
LITTELFUSE, INC.		DRAWG. NO. 904-216	
DES PLAINES, ILLINOIS 60016		REVISION M	

LTR	REVISION	CHK	APD
L	06866 - RELEASED -904-216-002 & REDRAW ON CAD. 10/12/95 RFR		
M	84353C-CHG PLATING TO BE OUT SOURCED 7/27/05 LDL	MP	CP

CP DENOTES CP DIMENSIONS. -MINIMUM CP VALUE MUST BE WITHIN THE DIMENSIONAL LIMITATIONS SHOWN ON DRAWING, AND DIMENSIONALY LOCATED TO ALLOW FOR MAXIMUM TOOL LIFE.

SPC DENOTES A CHARACTERISTIC THAT PROVIDES AN INDICATION OF PROCESS PERFORMANCE. PROCEDURE FOR MEASUREMENT AND TRACKING TO BE DEFINED IN LITTELFUSE INSPECTION INSTRUCTIONS.

UNLESS OTHERWISE SPECIFIED-DIMENSIONS DO NOT INCLUDE PLATING.

CP DENOTES CP DIMENSIONS. -MINIMUM CPK VALUE-----

