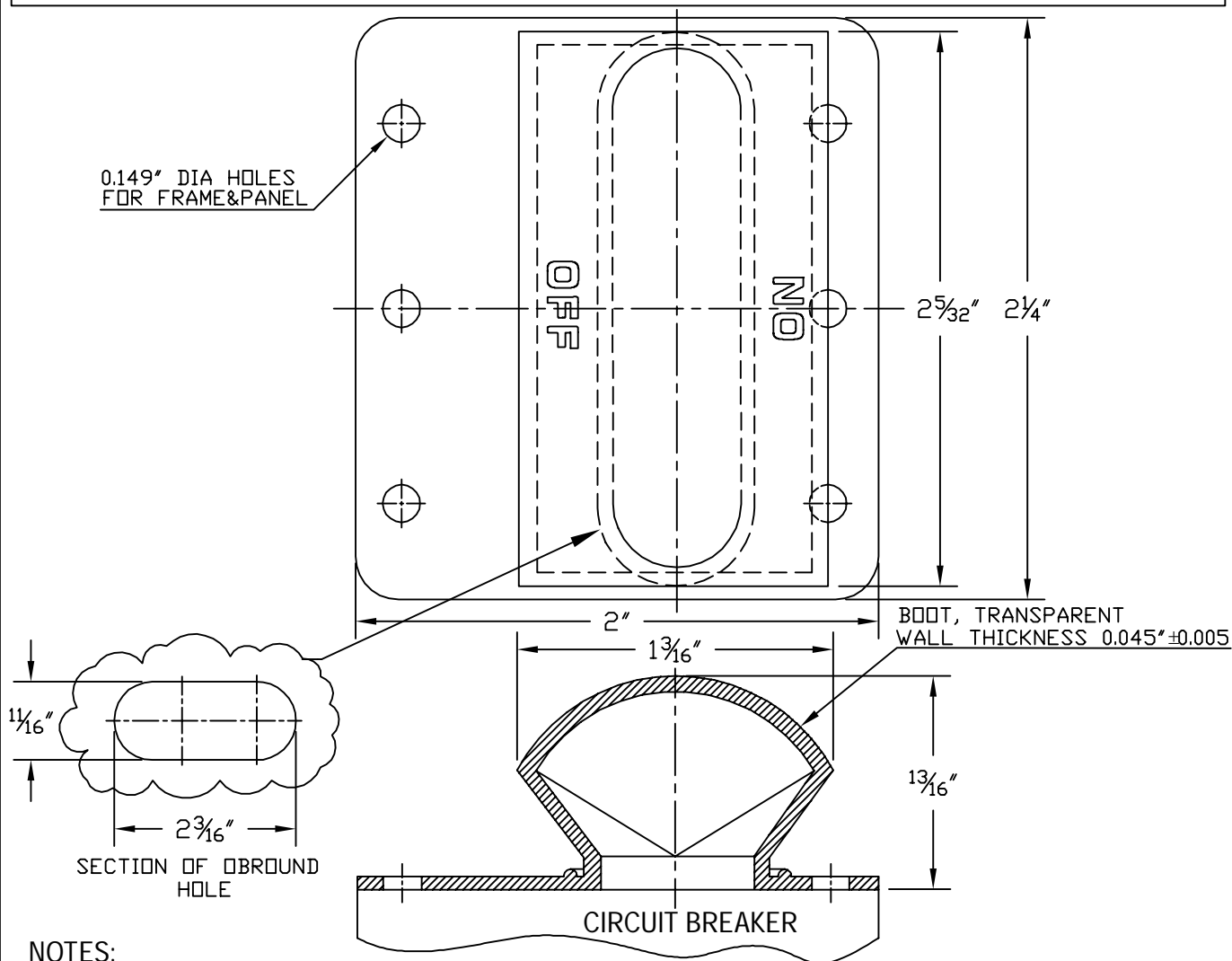


SPECIFICATIONS

Material: E-SEELS: Silicone Rubber polymer type ASTM D1418
Temperature Range: E-SEELS: -80°F to +400°F
Pressure Range: Dust tight and splashproof.
Resistant to: Salt spray, weather, sunlight, ozone, corona and most acids.
Shelf Life: Excess of 25 years.
Operational Life: 10,000 actuations, minimum.

Notes:
 1. Mounting screws are supplied in lengths shown unless otherwise specified.
 2. New sizes and types of RUBGLAS-SEELS® are being added regularly. Please request other types and styles as required.
Agency Recognition: Front Panel mounted Circuit Breaker Boots are UL-listed to UL Std. 50, types 1, 2, 3, 12, 12K, and 13. Back-of-Panel mounted Circuit Breaker boots are UL-listed to UL Std. 50, type 1. Also meet CSA standards.



NOTES:
 ORDER SEPARATELY 4#6-32 APM SEELSCREWS ® 3/8 LONG
 TOLERANCES: UNLESS OTHERWISE NOTED ±1/32

C	WALL THICKNESS TOL. 0.010 CHANGED TO 0.005, HOLE DIM. Ø9/64" CHANGED TO Ø0.149" and ADDED SECTION OF OBROUND HOLE	S. GOK	11.30.09
B	SPECIFICATION UPDATED TO CHANGED MAT'L FROM ZZ-R-765 TO ASTM D1418		08.20.09
A	CAD COMPUTER GENERATED		1-3-03
REV.	DESCRIPTION		DATE
MAXIMUM AND MINIMUM MEASUREMENTS ARE STATED DIRECTLY ON EACH DIMENSION.		ENG.	
MAT'L: Silicon Rubber Polymer type ASTM D 1418		DWN. CARBONE	6-13-69
FINISH:		CHKD. J. CELLA	08.20.09
APM-HEXSEAL CORPORATION		SCALE 3:2	(C1113/43) HEXSEAL®

THIS DRAWING COVERS PROPRIETARY ITEM AND IS THE PROPERTY OF THE APM-HEXSEAL CORPORATION.
 THIS DRAWING IS NOT TO BE COPIED OR USED WITHOUT THE WRITTEN APPROVAL OF AN OFFICER OF THE APM-HEXSEAL CORPORATION.