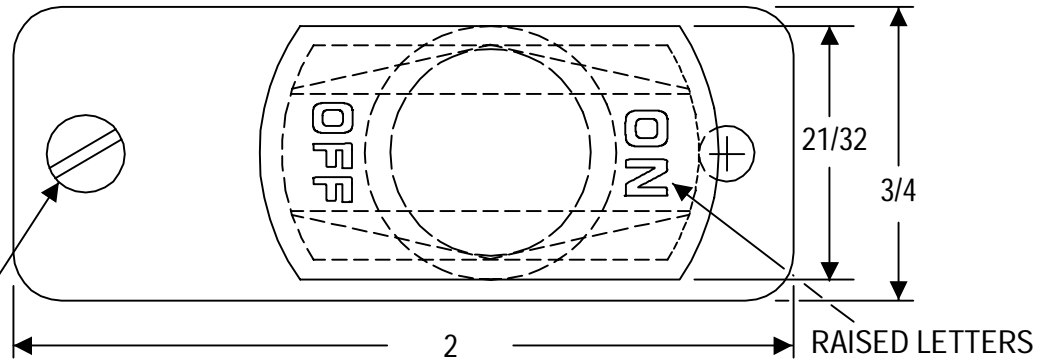


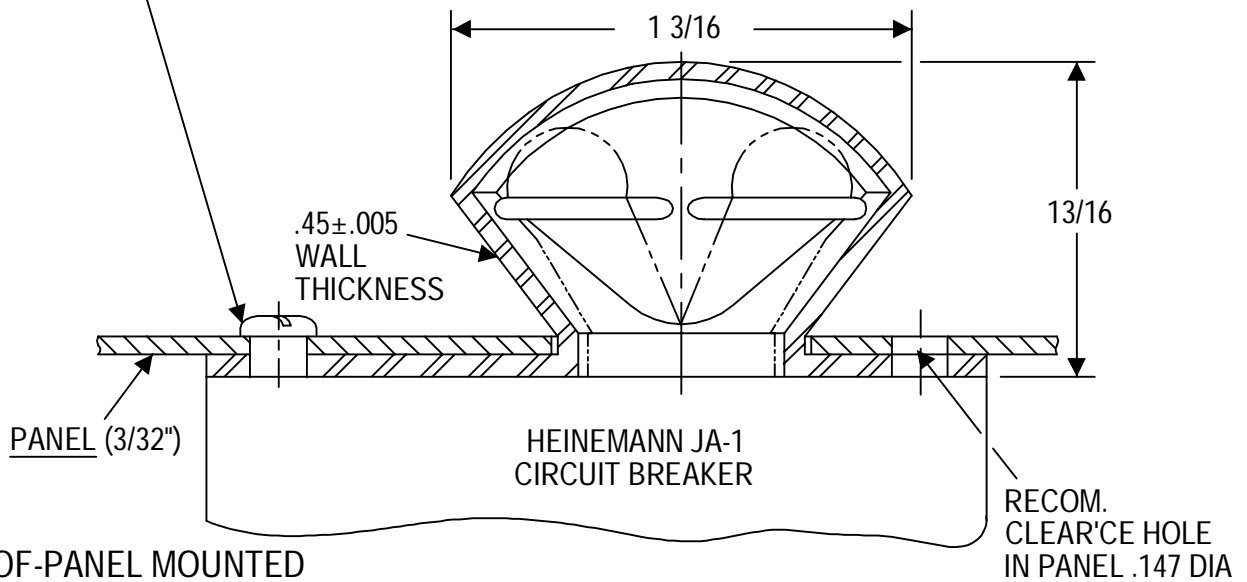
SPECIFICATIONS

Material: E-SEELS: Silicone Rubber polymer type ASTM D1418
Temperature Range: E-SEELS: -80°F to +400°F
Pressure Range: Dust tight and splashproof.
Resistant to: Salt spray, weather, sunlight, ozone, corona and most acids.
Shelf Life: Excess of 25 years.
Operational Life: 10,000 actuations, minimum.

Notes:
 1. Mounting screws are supplied in lengths shown unless otherwise specified.
 2. New sizes and types of RUBRGLAS-SEELS® are being added regularly. Please request other types and styles as required.
Agency Recognition: Front Panel mounted Circuit Breaker Boots are UL-listed to UL Std. 50, types 1, 2, 3, 12, 12K, and 13. Back-of-Panel mounted Circuit Breaker boots are UL-listed to UL Std. 50, type 1. Also meet CSA standards.



NOTE: ORDER SEPARATELY
 2 - #6-32 x 3/8 SEELSKREWS®



E	WALL THICKNESS TOL. CHANGED FROM 0.010" to 0.005"	12-18-09
D	SPECIFICATION CHANGED	08-19-09
C	CAD COMPUTER GENERATED	1-3-03
B	ADDED DIMENSIONS	NICK 2-6-68
A	REDRWAN WITH FULL FLANGE WAS 1" DIA	NKS 11-1-67
REV.	DESCRIPTION	DATE
MAXIMUM AND MINIMUM MEASUREMENTS ARE STATED DIRECTLY ON EACH DIMENSION.		
MAT'L: Silicon Rubber Polymer type ASTM D 1418	TITLE: CIRCUIT BREAKER BOOT, CIRCUIT BREAKER TOGGLE ROUND HOLE MOUNTED	ENG. DWN. N.K.S. 8-9-67
FINISH:	APM-HEXSEAL CORPORATION	CHKD. WS 11-1-67
	SCALE 2:1	DWG. NO. (C1113/40) HEXSEAL®

THIS DRAWING COVERS PROPRIETARY ITEM AND IS THE PROPERTY OF THE APM-HEXSEAL CORPORATION.
 THIS DRAWING IS NOT TO BE COPIED OR USED WITHOUT THE WRITTEN APPROVAL OF AN OFFICER OF THE APM-HEXSEAL CORPORATION.