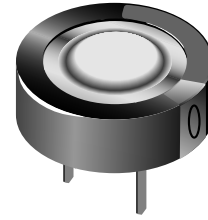


# Electric Double Layer Capacitors (Gold Capacitor)

Series: NF



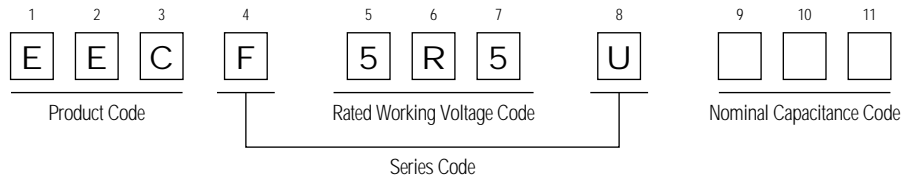
■ Features

- Maximum height of 8mm for 1F
- Suitable for micro-current consumption backup such as in CMOS microcomputers and RAM

■ Recommended Applications

- Memory backup for video, audio, cameras, telephones, printers, data terminals, and intelligent remote controllers

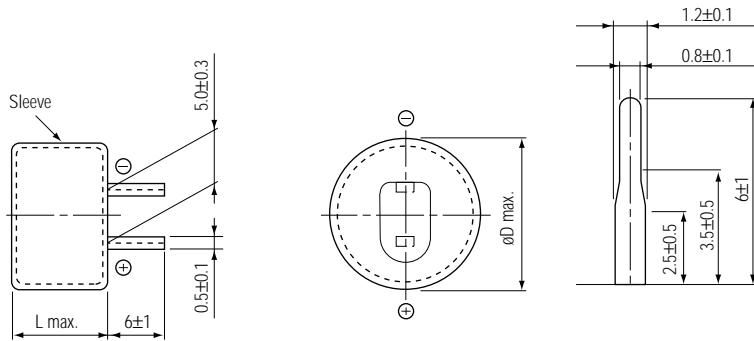
■ Explanation of Part Numbers



■ Specifications

Operating temperature range	-25 to +70°C	
Rated working voltage	5.5 V.DC	
Nominal capacitance range	0.022 to 1.0F	
Capacitance tolerance	+80% / -20% (+20°C)	
Characteristics at low temperature	Capacitance change	±30% of initial measured value at +20°C (-25 to +70°C)
	Internal resistance	≤5 times of initial measured value at +20°C (at -25°C)
Endurance	After 1,000 hours application of rated DC working voltage at +70°C, the capacitor shall meet the following limits:	
	Capacitance change	±30% of initial measured value
	Internal resistance	≤ 4 times of initial specified value
Shelf life	After 1,000 hours storage at +70°C without load, the capacitor shall meet the specified limits for "Endurance."	
Moisture resistance	After 500 hours storage at +55°C, 90 to 95% R.H., the capacitor shall meet the specified limits for "Endurance."	

■ Dimensions in mm (not to scale)



Case code	Size	
	øD	L
A	13.5	7.5
B	21.5	8.0

■ Standard Products

Rated Working Voltage (V. DC)	Capacitance (F)	Part Number	Capacitance Range (F)	Internal Resistance (Ω) at 1 kHz	Case Code
5.5	0.222	EECF5R5U223	0.0176 to 0.0396	≤150	A
	0.047	EECF5R5U473	0.0376 to 0.0846	≤120	A
	0.10	EECF5R5U104	0.080 to 0.180	≤75	A
	0.22	EECF5R5U224	0.176 to 0.396	≤75	A
	0.47	EECF5R5U474	0.376 to 0.846	≤30	B
	1.0	EECF5R5U105	0.80 to 1.80	≤30	B

■ Discharge Current vs. Backup Time

